



INSTRUCTIONS FOR:

# TROLLEY JACK 2 TONNE LOW ENTRY SHORT CHASSIS

MODEL No: **1050CXLE**

Your new Jack is produced and manufactured to a high standard of dependability and will, if used according to these instructions and properly maintained, give you years of trouble free performance.



**IMPORTANT: READ THESE INSTRUCTIONS CAREFULLY. NOTE THE SAFE OPERATIONAL REQUIREMENTS, WARNINGS AND CAUTIONS. USE THIS JACK CORRECTLY AND WITH CARE FOR THE PURPOSE FOR WHICH IT IS INTENDED. FAILURE TO DO SO MAY CAUSE DAMAGE OR PERSONAL INJURY AND WILL INVALIDATE THE WARRANTY. RETAIN THESE INSTRUCTIONS FOR FUTURE USE.**

## 1. SAFETY PRECAUTIONS

- ✓ Ensure the jack is in sound condition and good working order. Take action for immediate repair or replacement of damaged parts. Use genuine parts only. The use of unapproved parts may be dangerous and will invalidate the warranty.
- ✓ Locate the jack in a suitable, well lit working area.
- ✓ Keep working area clean and tidy and free from unrelated materials.
- ✓ Use jack on level and solid ground, preferably concrete. Avoid tarmac/adam as jack may sink in.
- ✓ Place wedges under wheels of vehicle (but ensure wheels of jack can freely move).
- ✓ Ensure the vehicle handbrake is engaged, engine is switched off and transmission is in gear (or "PARK" if automatic).
- ✓ Ensure minimum distance of 0.5m between vehicle and static objects such as doors, walls, etc., to allow for vehicle tilting.
- ✓ Ensure there are no passengers in the vehicle.
- ✓ Ensure all non-essential persons keep a safe distance whilst the jack is in use.
- ✓ Only place jack under those lifting points recommended by vehicle manufacturer (see vehicle hand book).
- ✓ Check the lifting point is stable and centred on the jack saddle.
- ✓ Ensure the jack wheels are free to move and that there are no obstructions.
- ☐ **DANGER:** Use the jack for lifting only, **NOT** for supporting the lifted load.
- ✓ Use suitable capacity axle stands under the vehicle before proceeding with any task.
- ✓ Ensure there are no persons or obstructions beneath the vehicle before lowering.
- ✓ Use a qualified person to maintain or repair the jack hydraulic system.
- ✗ **DO NOT** operate the jack if damaged.
- ✗ **DO NOT** allow untrained persons to operate the jack.
- ✗ **DO NOT** exceed the rated capacity of the jack (2.0tonne). When lifting a load of maximum capacity or close to it, it is recommended that the effort be reduced by the use of assistance during this operation.
- ✗ **DO NOT** allow the vehicle to move while supported by the jack, or use the jack to move the vehicle.
- ✗ **DO NOT** jack vehicle if there is a risk of spillage of fuel, battery acid, or other dangerous substances.
- ✗ **DO NOT** work under the vehicle until axle stands have been correctly positioned.
- ✗ **DO NOT** use the jack for purposes other than which it is intended.
- ✗ **DO NOT** top up hydraulic system with brake fluid. Use hydraulic jack oil only.
- ✗ **DO NOT** adjust the safety overload valve.
- ✗ When not in use store jack, fully lowered, in a safe, dry, childproof area.

## 2. ASSEMBLY & SPECIFICATION

- 2.1. To pump, place the handle into the jacking socket and turn it to engage the external pin as shown in fig.1.
- 2.2. To operate the release valve engage the cross pin in the open end of the handle with the slot in the end of the release valve as shown in fig.2.
- 2.3. Capacity .....2tonne  
 Min. saddle height.....78mm  
 Max. saddle height.....330mm  
 Chassis height.....130mm  
 Length .....530mm  
 Weight .....10kg

## 3. OPERATING INSTRUCTIONS

### 3.1. Before first use.

- 3.1.1. Before using jack, purge hydraulic unit in order to eliminate any air in the system. Place handle onto the release valve nut

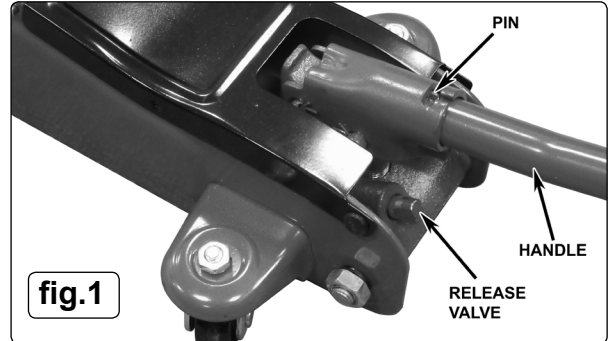


fig.1

as shown in fig.2 and open the valve by turning the handle anti-clockwise, place the handle back into the jacking socket and pump for 30 to 40 seconds. When complete, close the release valve by turning the valve nut clockwise.

- 3.1.2. Place a few drops of hydraulic jack oil onto the pump piston and pump the handle several times to distribute the oil. Thoroughly lubricate all moving parts.

### 3.2. General jacking.

- ☐ **WARNING!** Before lifting ensure Section 1 safety instructions are read and understood. When lifting a load of maximum capacity or close to it, it is recommended that the effort be reduced by the use of assistance during this operation.
- 3.2.1. Prepare the vehicle as mentioned in the safety instructions ensuring the ground on which the jack is to stand is level and solid (not tarmac/adam).
- 3.2.2. Position the jack saddle under the vehicle manufacturer's recommended lifting point.

### 3.3. Jacking the vehicle.

- 3.3.1. Close the release valve using the handle as shown in fig.2. Place the handle into the handle socket and commence pumping handle up and down using maximum strokes until the jack saddle reaches the vehicle jacking point. Check the jacking point is centrally located on the saddle and raise the vehicle.
- 3.3.2. Should the jack become overloaded, a safety excess pressure valve will open, and stop the vehicle from lifting.
- ☐ **WARNING!** The jack is a lifting device only and must not be used to support the load. Use correctly rated axle stands to support the load.

### 3.4. Lowering the vehicle

- ☐ **WARNING!** Ensure there are no persons or obstacles beneath the vehicle, or in the path of its descent.
- 3.4.1. If using axle stands, raise the jack high enough for the stands to be easily removed. Then place the handle onto the release valve nut and turn anti-clockwise, very slowly, to open the valve.
- 3.4.2. The lowering speed is controlled by the amount you turn the handle. Lower carefully, avoid any sudden changes in descent rate which would shock load the hydraulic system.

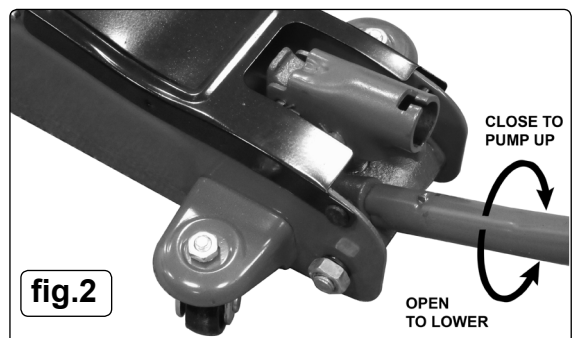


fig.2

## 4. MAINTENANCE

- 4.1. When the jack is not in use, the ram should be in its lowest position to minimise corrosion. Remove the handle to inactivate jack.
- 4.2. Keep the jack clean and lubricate all moving parts on a regular basis.
- 4.3. Before each use check for broken, cracked, bent, or loose parts, or any visible damage to ram, pump, saddle, lifting arm, frame and all parts including nuts, bolts, pins and other fasteners. If any suspect item is found remove jack from service and take necessary action to remedy the problem. **DO NOT** use the jack if believed to have been subjected to abnormal load or shock load.
- 4.4. Periodically check the pump piston and the ram for signs of corrosion. Clean exposed areas with a clean oiled cloth.
- 4.5. After one year the oil should be replaced in order to extend the life of the jack. Use hydraulic jack oil only.
- ✓ **IMPORTANT:** Only fully qualified personnel should attempt hydraulic maintenance or repair.
- 4.6. To check the oil level, fully lower the jack. Open the hinged cover and remove oil filler plug (fig.3). The correct level is just below the bottom of the plug. If oil level is low, fill as required.  
NOTE: Use a good quality jack oil, such as SEALEY HYDRAULIC JACK OIL.
- ☐ **WARNING:** DO NOT use brake fluid, or any fluid other than hydraulic jack oil as this may cause serious damage to the jack and will invalidate the warranty!

- 4.7. When draining the oil make sure that no dirt is allowed to enter the hydraulic system.

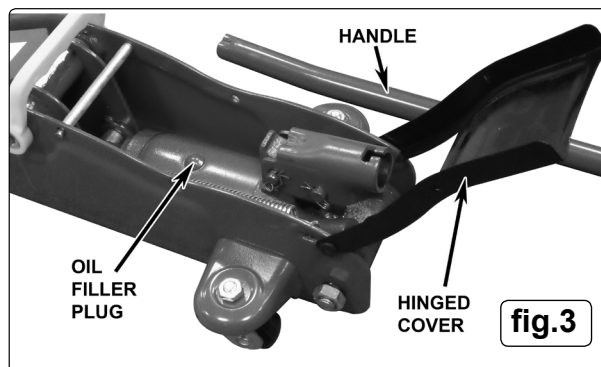
✓ **IMPORTANT: NO RESPONSIBILITY IS ACCEPTED FOR INCORRECT USE OF THIS PRODUCT.**

Hydraulic products are only repaired by local service agents. We have service/repair agents in all parts of the UK.

**DO NOT return jacks to us.** Please telephone us on 01284 757500 to obtain the address and 'phone number of your local agent. If jack is under guarantee contact your local Sealey dealer.

### De-commissioning the Jack

Should the jack become completely unserviceable and require disposal, draw off the oil into an approved container and dispose of the jack and the oil according to local regulations.



## 5. TROUBLE SHOOTING

**IMPORTANT: MAINTENANCE OR REPAIR OF HYDRAULIC SYSTEM MUST ONLY BE PERFORMED BY A QUALIFIED PERSON.**

PROBLEM	POSSIBLE CAUSE	REMEDY
Jack will not lift the load	<ol style="list-style-type: none"> <li>1) Overloaded</li> <li>2) Oil level low</li> <li>3) Release valve not correctly closed</li> <li>4) Air in system</li> <li>5) Piston rod not functioning</li> <li>6) Packing worn or defective</li> </ol>	<ol style="list-style-type: none"> <li>1) Be sure to use jack with adequate capacity</li> <li>2) Top up oil level</li> <li>3) Check and close release valve</li> <li>4) Open release valve and pump the handle a few times. Close valve and re-try</li> <li>5) Clean and replace oil</li> <li>6) Replace packing</li> </ol>
Jack does not lift high enough or feels "spongy"	<ol style="list-style-type: none"> <li>1) Oil level too high or too low</li> <li>2) Worn seals</li> <li>3) Air in system</li> <li>4) Release valve not closed</li> </ol>	<ol style="list-style-type: none"> <li>1) Fill or remove excess oil</li> <li>2) Return jack to local service agent</li> <li>3) Open release valve and pump the handle a few times. Close valve and re-try</li> <li>4) Check and close release valve</li> </ol>
Jack lifts poorly	<ol style="list-style-type: none"> <li>1) Pump packing or valves malfunctioning</li> <li>2) Oil is dirty</li> <li>3) Air in the system</li> </ol>	<ol style="list-style-type: none"> <li>1) Replace packing and/or clean valves</li> <li>2) Replace oil</li> <li>3) Open release valve and pump the handle a few times. Close valve and re-try</li> </ol>
Jack lifts but will not hold load	<ol style="list-style-type: none"> <li>1) Release valve partially open</li> <li>2) Dirt on valve seats</li> <li>3) Air in system</li> <li>4) Faulty seals</li> <li>5) Packing worn or defective</li> </ol>	<ol style="list-style-type: none"> <li>1) Check and close release valve</li> <li>2) Lower jack, close release valve. Place foot on front wheel and pull up lifting arm to it's full height by hand. Open the release valve to lower arm</li> <li>3) Open release valve and pump the handle a few times. Close valve and re-try</li> <li>4) Replace packing or contact local service agent</li> <li>5) Replace packing</li> </ol>
Jack will not lower completely	<ol style="list-style-type: none"> <li>1) Unit requires lubrication</li> <li>2) Piston rod bent or damaged</li> <li>3) Jack frame/link system distorted due to overloading/poor positioning</li> <li>4) Air in system</li> <li>5) Release valve partially closed</li> <li>6) Jack spring damaged or unhooked.</li> </ol>	<ol style="list-style-type: none"> <li>1) Oil all external moving parts</li> <li>2) Replace rod or contact local service agent</li> <li>3) Replace damaged parts or contact local service agent</li> <li>4) Open release valve and pump the handle a few times. Close valve and re-try</li> <li>5) Check and fully open release valve</li> <li>6) Replace spring or contact local service agent</li> </ol>
Jack does not lower at all	<ol style="list-style-type: none"> <li>1) Release valve closed</li> </ol>	<ol style="list-style-type: none"> <li>1) Check and fully open release valve</li> </ol>

**Parts support is available for this product. To obtain a parts listing and/or diagram, please log on to [www.sealey.co.uk](http://www.sealey.co.uk), email [sales@sealey.co.uk](mailto:sales@sealey.co.uk) or phone 01284 757500.**

**NOTE:** It is our policy to continually improve products and as such we reserve the right to alter data, specifications and component parts without prior notice.

**IMPORTANT:** No liability is accepted for incorrect use of this product.

**WARRANTY:** Guarantee is 12 months from purchase date, proof of which will be required for any claim.

**INFORMATION:** For a copy of our latest catalogue and promotions call us on 01284 757525 and leave your full name and address, including postcode.



**Sole UK Distributor, Sealey Group,**  
Kempson Way, Suffolk Business Park,  
Bury St. Edmunds, Suffolk,  
IP32 7AR

☎ 01284 757500

🌐 [www.sealey.co.uk](http://www.sealey.co.uk)

📠 01284 703534

✉ [sales@sealey.co.uk](mailto:sales@sealey.co.uk)