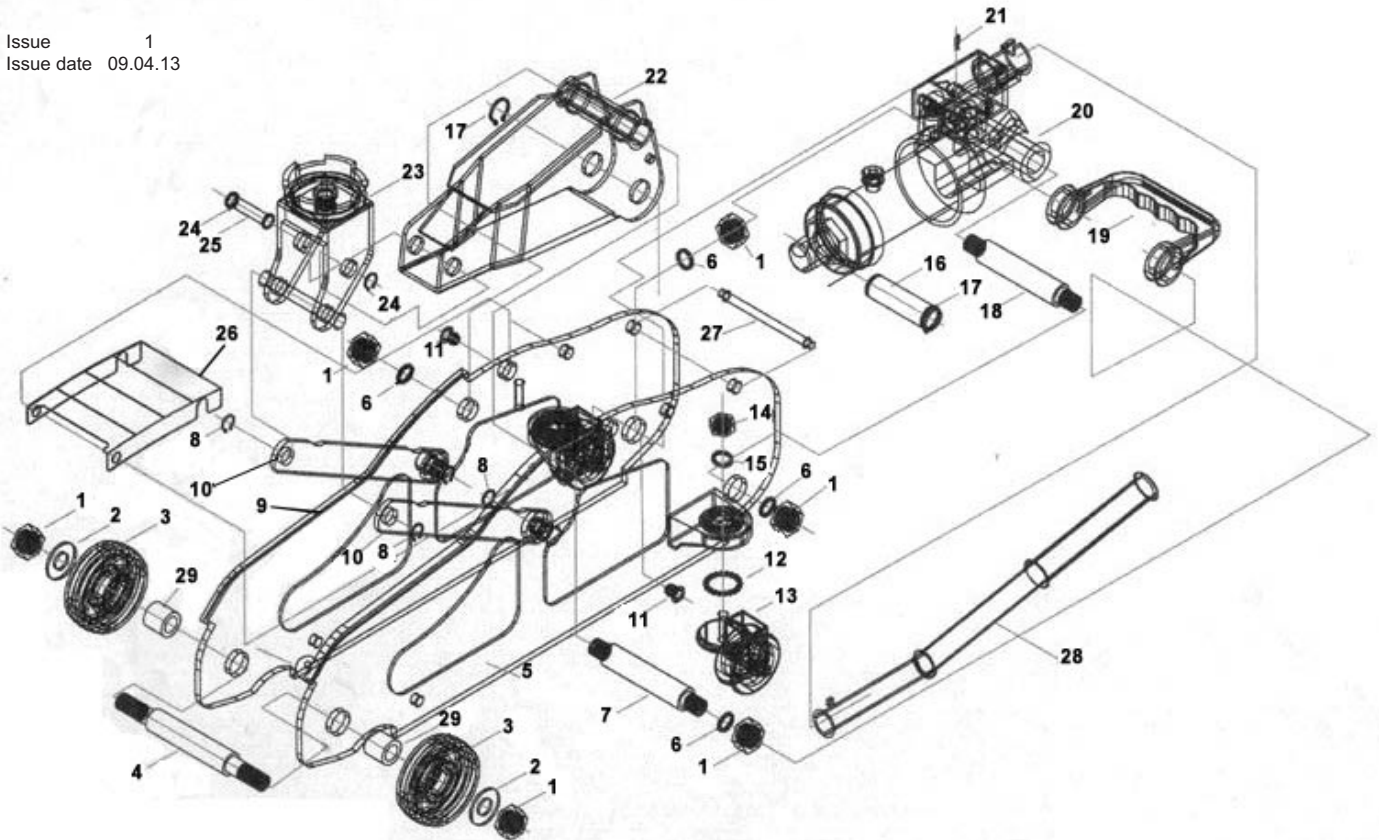


Issue 1  
 Issue date 09.04.13



ITEM	PART NO.	DESCRIPTION	ITEM	PART NO.	DESCRIPTION
1	1050CXLE.01	NUT	16	1050CXLE.16	PISTON ROD SHAFT
2	1050CXLE.02	WASHER (12mm)	17	1050CXLE.17	SNAP RING 'C'
3	1050CXLE.03	FRONT WHEEL	18	1050CXLE.18	BASE SHAFT
4	1050CXLE.04	FRONT WHEEL SHAFT	19	1050CXLE.19	CARRYING HANDLE
5	1050CXLE.05	SIDE MEMBER, LEFT	20	1050CXLE.20	POWER UNIT ASS'Y
6	1050CXLE.06	SPRING WASHER (12mm)	21	1050CXLE.21	HANDLE SOCKET
7	1050CXLE.07	SUPPORT SHAFT	22	1050CXLE.22	LIFTING ARM UNIT
8	1050CXLE.08	SNAP RING 'C'	23	1050CXLE.23	SADDLE UNIT
9	1050CXLE.09	SIDE MEMBER, RIGHT	24	1050CXLE.24	SNAP RING 'C'
10	1050CXLE.10	RADIUS LINK	25	1050CXLE.25	LIFTING ARM SHAFT
11	1050CXLE.11	SIDE PLATE SCREW	26	1050CXLE.26	COVER PLATE
12	1050CXLE.12	STEEL BALL	27	1050CXLE.27	SUPPORT SHAFT
13	1050CXLE.13	CASTOR ASS'Y	28	1050CXLE.28	HANDLE
14	1050CXLE.14	NUT	29	1050CXLE.29	WHEEL BUSH
15	1050CXLE.15	SPRING WASHER (8mm)			

**NOTE:** It is our policy to continually improve products and as such we reserve the right to alter data, specifications and component parts without prior notice.

**IMPORTANT:** No liability is accepted for incorrect use of product.

**WARRANTY:** Guarantee is 12 months from purchase date, proof of which will be required for any claim.

**INFORMATION:** For a copy of our latest catalogue and promotions call us on 01284 757525 and leave your full name and address, including postcode.