

**DIGITAL VERNIER CALLIPER 0-150mm/0-6"**

Thank you for purchasing a Sealey product. Manufactured to a high standard this product will, if used according to these instructions and properly maintained, give you years of trouble free performance.



**IMPORTANT PLEASE READ THESE INSTRUCTIONS CAREFULLY. NOTE THE SAFE OPERATIONAL REQUIREMENTS, WARNINGS, AND CAUTIONS. USE THIS PRODUCT CORRECTLY AND WITH CARE, FOR THE PURPOSE FOR WHICH IT IS INTENDED. FAILURE TO DO SO MAY CAUSE DAMAGE AND/OR PERSONAL INJURY AND WILL INVALIDATE THE WARRANTY.**

**1. SAFETY INSTRUCTIONS**

- ❑ **WARNING! Ensure Health and Safety, local authority and general workshop practice regulations are adhered to when using tools and equipment.**
- x **DO NOT** use AK9621EV if damaged.
- ✓ Maintain AK9621EV in good and clean condition for best performance.
- ✓ Keep the work area clean, uncluttered and ensure there is adequate lighting.
- ✓ Keep children and unauthorised persons away from the work area.
- x **DO NOT** use the AK9621EV for any purpose other than for which it is designed.
- x **DO NOT** get AK9621EV wet or use in damp or wet locations, or areas where there is condensation. Keep AK9621EV clean and dry using a dry cotton cloth only.
- x **DO NOT** dip or submerge the AK9621EV in any type of liquid.
- x **DO NOT** expose AK9621EV to bright sunlight or dust.
- x **DO NOT** dis-assemble AK9621EV. The AK9621EV must be checked by qualified service personnel only.
- x **DO NOT** apply any voltage to the AK9621EV i.e. with an electric marker pen.
- ✓ The AK9621EV is a precision instrument, treat with care, avoid using force and do not subject to knocks or shocks.
- ✓ Use AK9621EV in reasonably constant temperature conditions of approximately 20°C.
- ✓ When not in use, **turn off** and store gauge in a safe, dry, childproof location.

**2. INTRODUCTION & SPECIFICATION**

Hardened and tempered stainless steel digital calliper with satin finish. Large LCD display with 11mm high figures for ease of reading. Metric and Imperial calibration with conversion between the two. Zero setting control allows comparative measurement. Supplied in robust storage case.

**Specification**

|                               |                                                            |
|-------------------------------|------------------------------------------------------------|
| Resolution                    | 0.01mm (0.0005")                                           |
| Range                         | 0-150mm (0-6")                                             |
| Accuracy                      | ±0.03mm/0.001"                                             |
| Functions                     | Zero set, mm/inch select, incremental zero.                |
| Messages                      | Flashing display = replace battery                         |
| Battery life                  | Approx. two years (approx. one year in continuous service) |
| Battery                       | SR44 - 1.5V                                                |
| Operational Temperature range | 0 - 40°C                                                   |

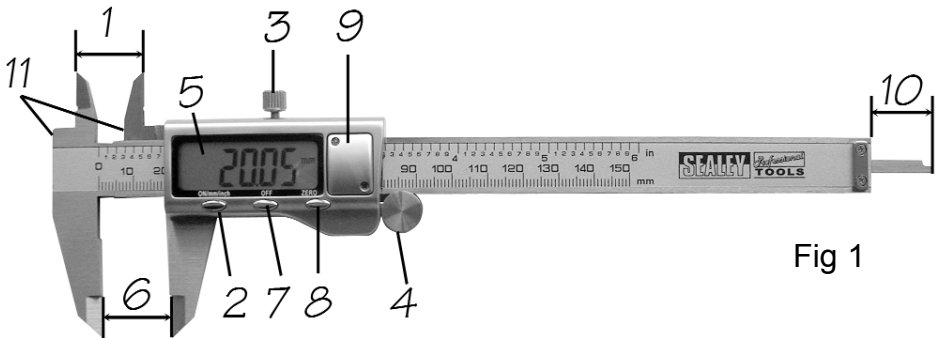


Fig 1

- |                     |                    |                  |
|---------------------|--------------------|------------------|
| 1 Internal Measure  | 5 LCD Display      | 9 Battery Cover  |
| 2 On/mm/inch Button | 6 External Measure | 10 Depth Measure |
| 3 Locking Screw     | 7 Off Button       | 11 Step Measure  |
| 4 Fine Adjust Wheel | 8 Zero Button      |                  |

### 3. OPERATION

- 3.1. Ensure all measuring surfaces are clean and then turn on calliper by pressing 'ON' button. Wait at least one second before use.
- 3.2. Loosen locking screw and close calliper; if read-out does not show zero when in closed position, reset by pressing 'Zero' button.
- 3.3. Select inch or mm units, as required, with the metric/imperial selector. Check that display shows the required units.
- 3.4. Measurements will now be shown directly on the LCD display.
- 3.5. A new zero may be obtained, at any open position of the calliper, by pressing the zero control.
- 3.6. When finished, turn off and store calliper in a safe, dry, childproof location.

### 4. MAINTENANCE

#### 4.1 BATTERY INSTALLATION/REPLACEMENT

**NOTE!** The battery should last for one year of continuous use. If the display is blank or the digits are flashing the battery voltage is too low, replace the battery with a new SR44 power cell. If the digits do not change when buttons are pressed or probe is moved, remove the battery for 1 minute to reset the unit. The battery should be removed if the gauge is not to be used for a long period of time.

- 4.1.1. Lift off the battery cover (fig 2) after removing the two screws.
- 4.1.2. Remove exhausted battery and fit replacement with +ve side uppermost and fix the cover back into place using the two screws.
- 4.1.3. Dispose of old battery in a safe and approved manner. Do not burn. If the display fails to alter when the slide is moved, remove the battery, wait at least 1 minute and then refit the battery.

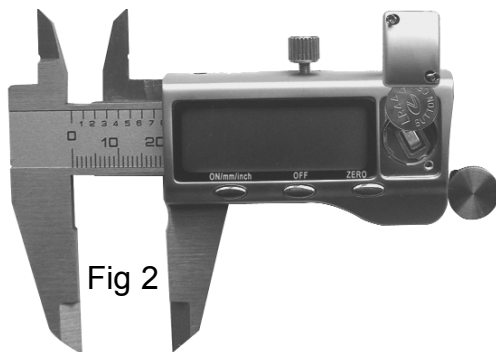


Fig 2



#### Environmental Protection.



Recycle unwanted materials instead of disposing of them as waste. All tools, accessories and packaging should be sorted, taken to a recycle centre and disposed of in a manner which is compatible with the environment.



When the product is no longer required, it must be disposed of in an environmentally protective way. Do not incinerate battery as it may explode when exposed to fire. Do not attempt to open battery. Contact your local solid waste authority for recycling information.

**NOTE:** It is our policy to continually improve products and as such we reserve the right to alter data, specifications and component parts without prior notice.


**IMPORTANT:** No liability is accepted for incorrect use of product.


**WARRANTY:** Guarantee is 12 months from purchase date, proof of which will be required for any claim.

**INFORMATION:** For a copy of our latest catalogue and promotions call us on 01284 757525 and leave your full name and address, including postcode.



Sole UK Distributor,  
Sealey Group,  
Bury St. Edmunds, Suffolk.

 01284 703534

 01284 757500



[www.sealey.co.uk](http://www.sealey.co.uk)

E-mail: [sales@sealey.co.uk](mailto:sales@sealey.co.uk)