

Thank you for purchasing a Sealey product. Manufactured to a high standard this product will, if used according to these instructions and properly maintained, give you years of trouble free performance.



IMPORTANT: PLEASE READ THESE INSTRUCTIONS CAREFULLY. NOTE THE SAFE OPERATIONAL REQUIREMENTS, WARNINGS & CAUTIONS. USE THE PRODUCT CORRECTLY AND WITH CARE FOR THE PURPOSE FOR WHICH IT IS INTENDED. FAILURE TO DO SO MAY CAUSE DAMAGE AND/OR PERSONAL INJURY AND WILL INVALIDATE THE WARRANTY. PLEASE KEEP INSTRUCTIONS SAFE FOR FUTURE USE.

1. SAFETY INSTRUCTIONS

1.1 GENERAL SAFETY

- ❑ **WARNING!** Ensure Health & Safety, local authority, and general workshop practice regulations are adhered to when using this drawer unit.
- ✓ Locate bench with drawer unit in a suitable working area.
- ✓ Keep the work area clean, uncluttered and ensure there is adequate lighting.
- ❑ **WARNING!** Use bench with drawer unit on level and solid ground, preferably concrete.
- ✓ Keep bench and drawer unit clean and tidy in accordance with good workshop practice.
- ✓ Keep children and unauthorised persons away from the working area.
- ❑ **WARNING!** Neither the drawer unit or bench to which it is fitted are electrically insulated and both are therefore not suitable for electrical repairs of any sort.
- x **DO NOT** use bench or drawer unit for any purpose other than that for which it is designed.
- x **DO NOT** use a bench with drawer unit fitted outside.
- x **DO NOT** get bench or drawer unit wet, or use in damp or wet locations or areas where there is condensation.
- x **DO NOT** clean bench or drawer unit with any solvents which may damage the paint surface.
- ❑ **WARNING!** Workbenches with drawer units are heavy and assistance should be obtained before moving them.



2. INTRODUCTION AND SPECIFICATIONS

Optional three drawer unit for added drawer space on any of the AP10 or AP30 series workbenches. Manufactured with steel plate for industrial durability and finished in red gloss to prevent corrosion. With lockable drawers the unit can be installed on the left or right of the workbench.

Individual draw size: Height 120, Depth 525, Width 340mm.

Overall size of unit: Height 535, Depth 575, Width 400mm.

3. CONTENTS

Carefully unpack the 3 drawer add on unit. Check that it has not been damaged in transit and that the following items are included:

1. Chassis containing 3 drawers and drawer keys.
2. Drawer retaining plate with two self tapping screws.

4. ASSEMBLY

On the wider benches with alternative runner positions decide whether the drawer unit is to be placed on the left or on the right. Lift the drawer unit and slide the outward turned flanges at the top of the unit sides onto the inwards turned flanges of the runners beneath the bench top, see Fig.1A. Push the unit fully in until it stops. Screw the drawer unit retaining plate into position on the back of the drawer unit using the holes and self tapping screws provided. Ensure that the flange at the top of the retaining plate faces inwards and bears against the ends of the runners, see Fig.1B.

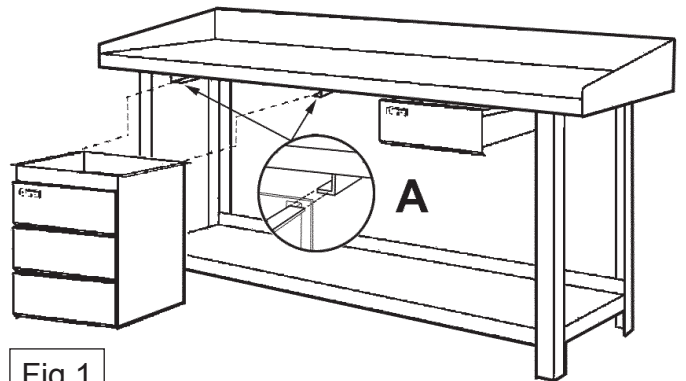
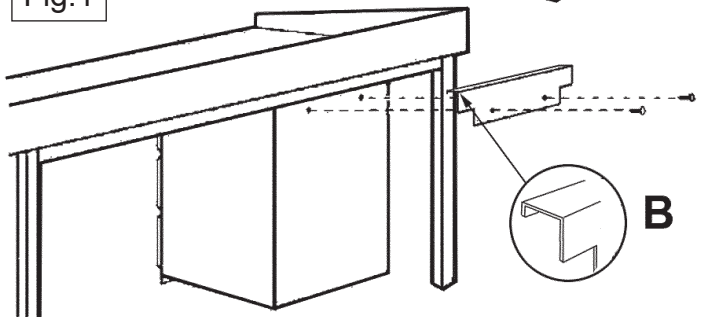


Fig.1



NOTE: It is our policy to continually improve products and as such we reserve the right to alter data, specifications and component parts without prior notice.

IMPORTANT: No liability is accepted for incorrect use of this product.

WARRANTY: Guarantee is 12 months from purchase date, proof of which will be required for any claim.

INFORMATION: For a copy of our catalogue and latest promotions call us on 01284 757525 and leave your full name, address and postcode.