

Thank you for purchasing a Sealey product. Manufactured to a high standard this product will, if used according to these instructions and properly maintained, give you years of trouble free performance.

IMPORTANT: PLEASE READ THESE INSTRUCTIONS CAREFULLY. NOTE THE SAFE OPERATIONAL REQUIREMENTS, WARNINGS & CAUTIONS. USE THE PRODUCT CORRECTLY AND WITH CARE FOR THE PURPOSE FOR WHICH IT IS INTENDED. FAILURE TO DO SO MAY CAUSE DAMAGE OR PERSONAL INJURY, AND WILL INVALIDATE THE WARRANTY. PLEASE KEEP INSTRUCTIONS SAFE FOR FUTURE USE.

1. SAFETY INSTRUCTIONS

1.1 GENERAL SAFETY

- ❑ **WARNING!** Ensure Health & Safety, and local authority regulations are adhered to when assembling and using these shelves.
- ✓ Locate shelves in a suitable area where they will not be an obstruction.
- ✓ Keep the general area clean, uncluttered and ensure there is adequate lighting.
- ❑ **WARNING!** Erect shelves on a level and solid surface such as concrete.
- ✓ Keep children and unauthorised persons away from the storage area.
- x **DO NOT** use the shelves for any purpose other than that for which they are designed.
- x **DO NOT** site the shelves out of doors.
- x **DO NOT** get the shelves wet or use in damp or wet locations or areas where there is condensation.
- x **DO NOT** clean the shelf supports with any solvents which may damage the coated surface.
- ✓ Ensure that the shelves are properly assembled before loading them with heavy items.
- ❑ Maximum load for each shelf is 350kg.
- ✓ Where possible the unit should be fixed to the wall with suitable fixings
- ✓ Place heavier items on the lower shelves.
- ✓ Where possible heavier items should be evenly distributed across the shelves.

2. INTRODUCTION

Fully painted steel frame with five MDF shelves. 350kg capacity per level giving a maximum capacity of 1750kg per rack. No nuts and bolts means no tools required to assemble. Clips together in minutes. Racking can be used as a single bay rack or split into two separate shelf systems or workstations.

Height: 1805mm Width: 910mm Depth: 410mm

3. CONTENTS

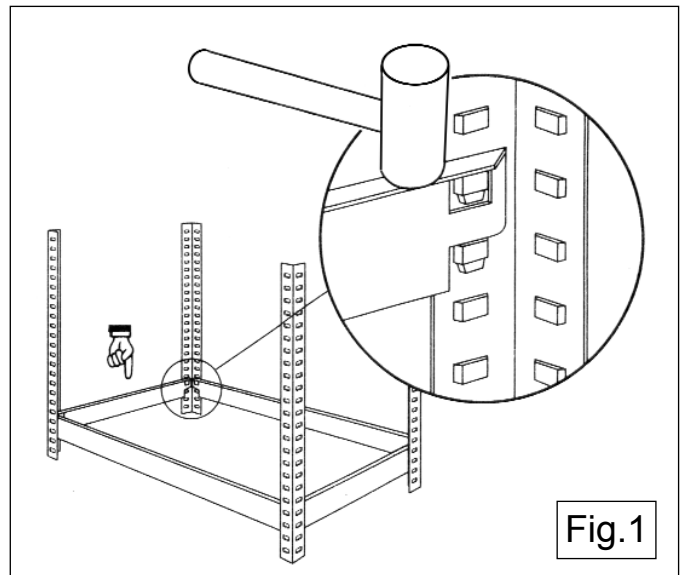
Carefully unpack the product and check the contents against the list below. Should any items be missing or damaged make immediate contact with your Sealey dealer.

Part Description	No Off
LEG ANGLE SECTIONS (900x70x1.2mm)	8
LEG ANGLE JOINERS (28x61x1.2mm)	8
PLASTIC FLOOR PROTECTORS	8
SHELF SUPPORT, LONG (910x70x1.2mm)	10
SHELF SUPPORT, SHORT (415x70x1.2mm)	10
MDF SHELF (900 x 400 x 12mm)	5
FASTENER KIT (Nuts & bolts for joining side by side sections)	4

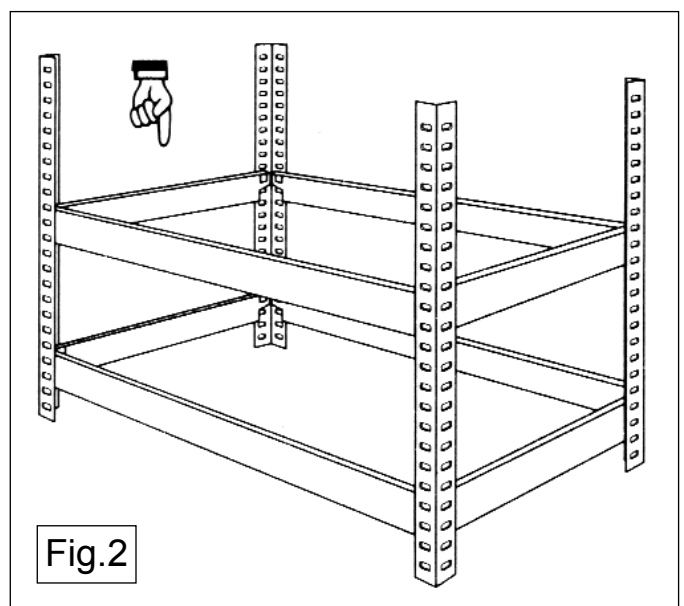
4. ASSEMBLY

4.1 Assemble the frame using a soft faced hammer or mallet as shown in Fig.1. If only a hard faced hammer is available hammer onto a piece of wood to avoid damaging the paint surface. Always hammer gently as close as possible to the uprights. Make sure that the shelf support tabs are in line with the leg angle slots. If the tabs and slots are not lining up do not use force as this may damage the tabs. If the tabs are out of line bend them slightly to line up with the slots.

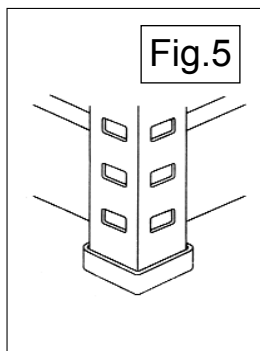
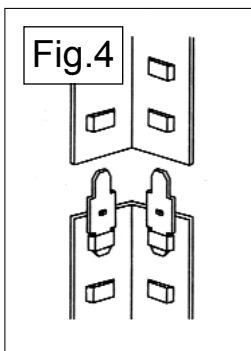
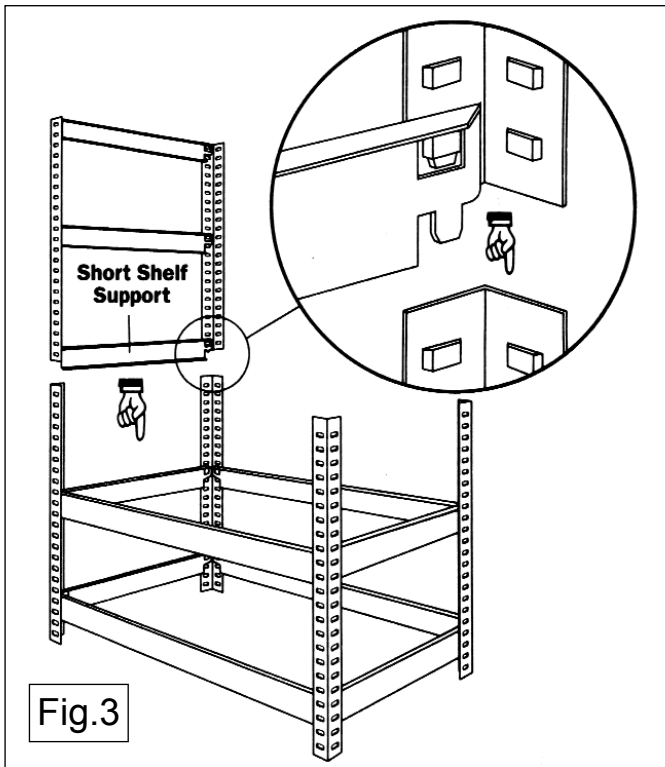
4.2 See Fig.1. Decide on the position/height of the bottom shelf. Make an end frame by fitting 1 short shelf support between 2 leg angle sections. Make a second end frame ensuring that the shelf support is at the same height as the first end frame. Join the two end frames together using 2 long shelf supports fixed at the same height as the short shelf supports.



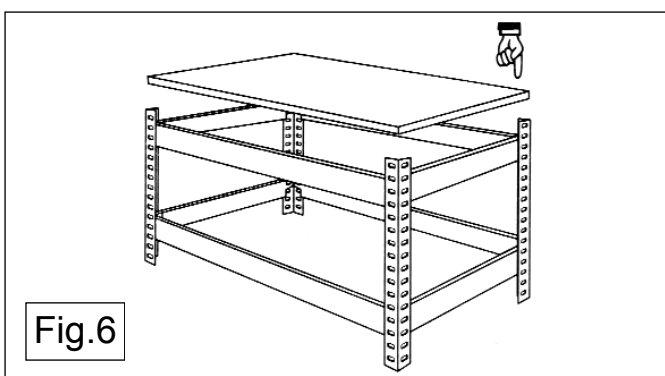
4.3 See Fig.2. Decide on the height of the second shelf. Fit another 2 short shelf supports at the desired height then fit 2 long shelf supports at the same height.



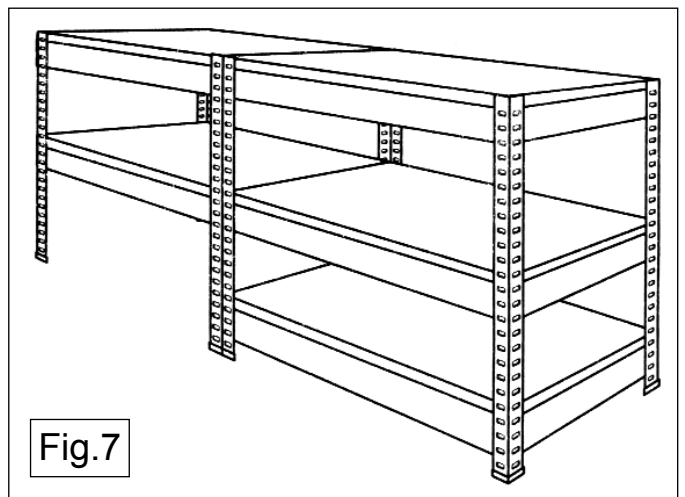
- 4.4 Decide the shelf positions for the upper section of the shelves and assemble two more end frames, each using 2 leg angle sections and 3 short shelf supports ensuring that the shelf supports are at the same height on both frames. The upper part of the shelves can be joined to the lower part of the shelves using the lower shelf supports as shown in Fig.3. If the lower shelf is not positioned at the centre of the frame use the special joining pieces supplied as shown in Fig.4.
- 4.5 When both upper end frames are in place join them together with the remaining 6 long shelf supports ensuring that they are at the same height as the short shelf supports.



- 4.6 See Fig.5. When the frame is complete attach the plastic floor protectors to the bottoms of the angle sections. Get a second person to steady the frame while this is done.
- 4.7 See Fig.6. Move the frame into position in the chosen storage area. Place the 5 MDF shelves onto the shelf supports.



- 4.8 See Fig.7. To assemble as a bench/low level shelving unit make up two separate frames following steps 4.1 to 4.3 but with different shelving positions. Make up one frame with 3 shelves and one frame with two shelves as shown below. Ensure that the middle and top shelves on both frames are at the same height. Fix the frames together with the four nuts and bolts supplied. Place the 5 shelves into position in the frames.



- 4.9 See Fig.8. To assemble as a corner unit make up two separate frames following steps 4.1 to 4.3 but with different shelving positions. Make up one frame with 3 shelves and one frame with two shelves as shown below. Ensure that the middle and top shelves on both frames are at the same height. Fix the frames together with the four nuts and bolts supplied. Place the 5 shelves into position in the frames.

