

Thank you for purchasing a Sealey product. Manufactured to a high standard this product will, if used according to these instructions and properly maintained, give you years of trouble free performance.

**IMPORTANT:** PLEASE READ THESE INSTRUCTIONS CAREFULLY. NOTE THE SAFE OPERATIONAL REQUIREMENTS, WARNINGS & CAUTIONS. USE THE PRODUCT CORRECTLY AND WITH CARE FOR THE PURPOSE FOR WHICH IT IS INTENDED. FAILURE TO DO SO MAY CAUSE DAMAGE AND/OR PERSONAL INJURY AND WILL INVALIDATE THE WARRANTY. PLEASE KEEP INSTRUCTIONS SAFE FOR FUTURE USE.

### 1. SAFETY INSTRUCTIONS

- ✓ Always load evenly with the centre of gravity of the load as low as possible.
- ✓ Use additional support for large or wide loads to prevent movement.
- ✓ When used on steps or stairs ensure that the load is well within your capability to lift and control. Make multiple trips rather than exceed your lifting capabilities.
- x **DO NOT** overload the truck - maximum capacity 150kg.
- x **DO NOT** allow others to ride on the truck.
- x **DO NOT** use the truck if any part is damaged.

### 2. INTRODUCTION & SPECIFICATION

Tubular steel construction gives 150kg maximum load capacity. Deep foot ensures cartons stay on trolley during transit. Fitted with solid rubber wheels. Handle design allows a firm grip whilst ascending and descending stairways. Ideal for delivery drivers and couriers. Suitable also for multi-level factories and offices.

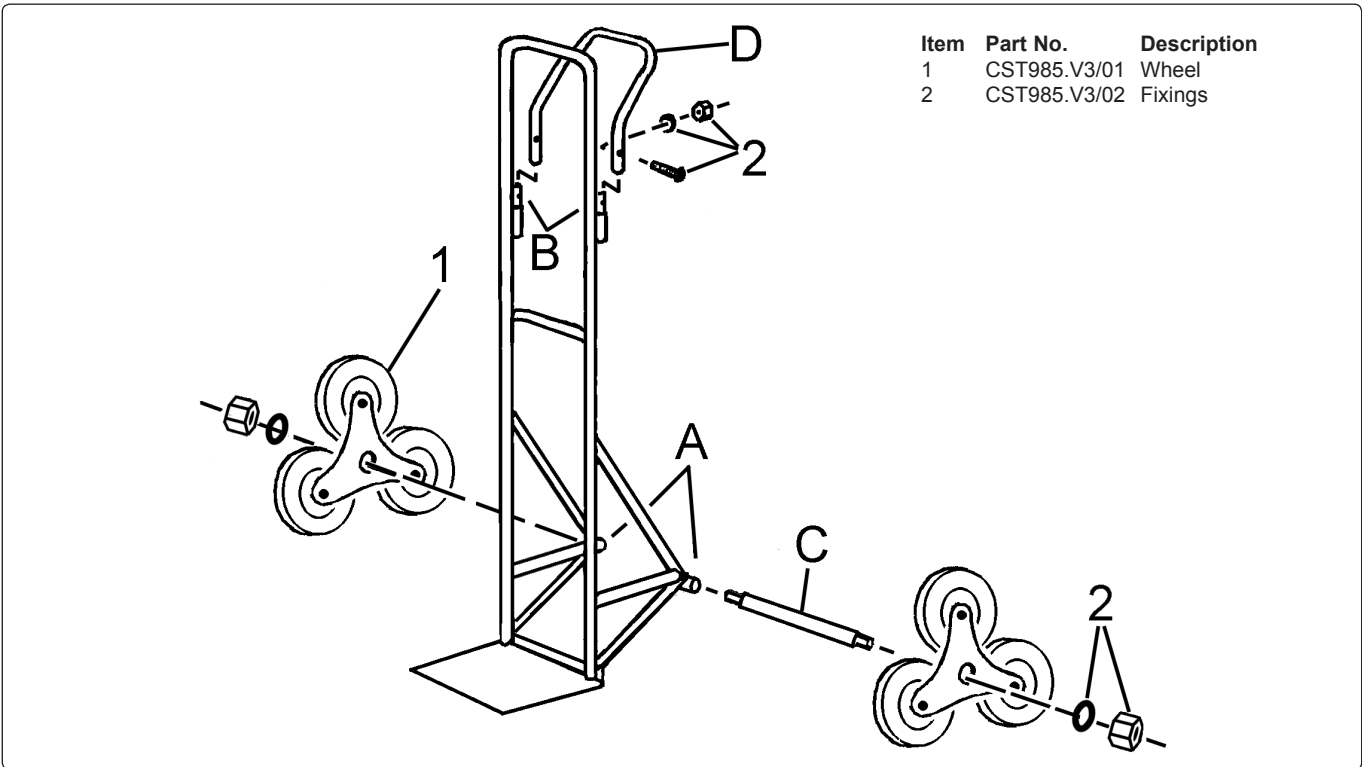
Max. Load . . . . .	150kg	Height . . . . .	1300mm
Wheel Diameter . . . . .	165mm	Width (overall) . . . . .	510mm
Wheel Width . . . . .	30mm	Platform Depth . . . . .	230mm

### 3. ASSEMBLY

**Note:** Numbers/Letters in brackets refer to the parts diagram below.

- 3.1. Slide axle (C) through tubes (A).
- 3.2. Fit wheel assembly (1) to each end of axle and retain with plain washers and nuts (2).
- 3.3. Slide handle (D) over tubes (B) and retain with bolts, plain washers and nuts (2).

### 4. PARTS



**NOTE:** It is our policy to continually improve products and as such we reserve the right to alter data, specifications and component parts without prior notice.

**IMPORTANT:** No liability is accepted for incorrect use of this product.

**WARRANTY:** Guarantee is 12 months from purchase date, proof of which will be required for any claim.

**INFORMATION:** For a copy of our catalogue and latest promotions call us on 01284 757525 and leave your full name, address and postcode.