

Thank you for purchasing a Sealey product. Manufactured to a high standard this product will, if used according to these instructions and properly maintained, give you years of trouble free performance.

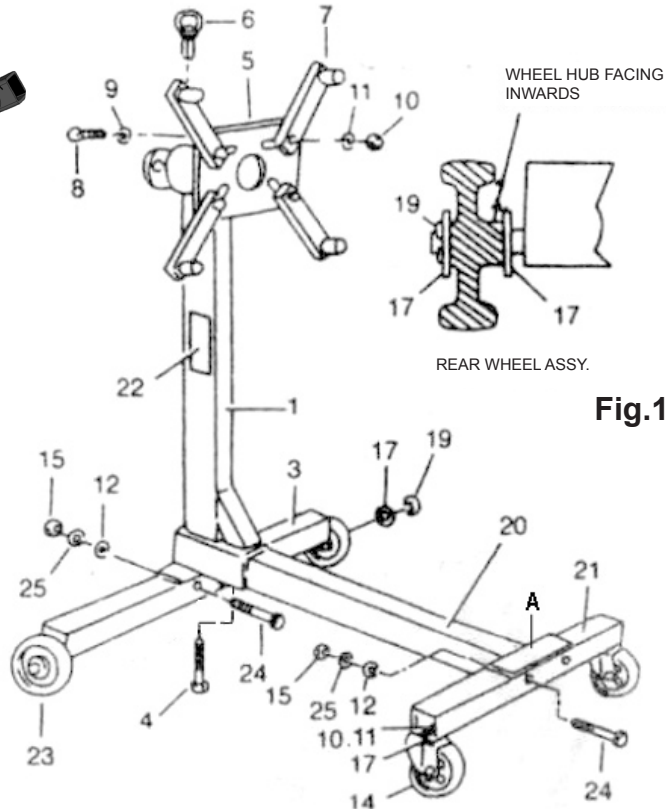
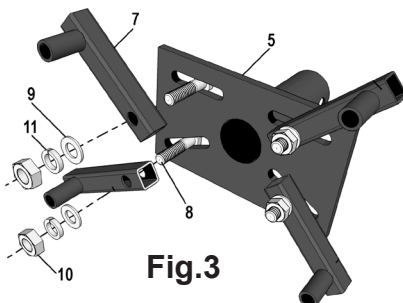
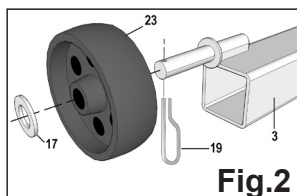
IMPORTANT: PLEASE READ THESE INSTRUCTIONS CAREFULLY. NOTE THE SAFE OPERATIONAL REQUIREMENTS, WARNINGS AND CAUTIONS. USE THIS PRODUCT CORRECTLY AND WITH CARE FOR THE PURPOSE FOR WHICH IT IS INTENDED. FAILURE TO DO SO MAY CAUSE DAMAGE AND/OR PERSONAL INJURY AND WILL INVALIDATE THE WARRANTY. PLEASE KEEP INSTRUCTIONS SAFE FOR FUTURE USE.

1. SAFETY INSTRUCTIONS

- ❑ **WARNING!** Ensure all Health and Safety, local authority, and general workshop practice regulations are strictly adhered to when using this equipment.
- ✓ Before using the stand ensure it is in good working order.
- ✓ Replace or repair damaged parts. Use recommended parts only. Unauthorised parts may be dangerous and will invalidate the warranty.
- ✓ Keep the stand clean for best and safest performance.
- ✓ Locate the stand in a suitable work area, keep area clean and tidy and free from unrelated materials. Ensure there is adequate lighting.
- ✓ Use on a firm, level surface capable of sustaining the stand and the load.
- ✓ Maintain correct balance and footing. Ensure the floor is not slippery and wear non-slip shoes.
- ✓ Ensure all non-essential persons keep a safe distance whilst the stand is in use.
- ✓ Lock mounting plate in position with locking pin before fixing a load and ensure the load is centred and securely mounted on the mounting plate.
- ✓ When an engine is mounted, take the weight of the engine on the handle **before** removing the locking pin.
- ✓ Ensure the stand and load are stable.
- ✓ To move a loaded stand, steady the load and push from behind the main post of the stand so that the castor wheels are ahead of the load.
- ✗ **DO NOT** pull the unit backwards, or push from the side, as this may cause the stand to tip.
- ✓ Ensure surface over which the stand is to travel is strong enough to take the stand and load and that it is not cracked, uneven or obstructed.
- ✗ **DO NOT** use unit if damaged.
- ✗ **DO NOT** allow untrained persons to use the stand.
- ✗ **DO NOT** exceed the rated capacity of 450kg.
- ▲ **DANGER! DO NOT** work **under** an engine mounted on the stand.
- ✗ **DO NOT** use the stand for purposes other than those for which it is designed.
- ✓ When not in use store stand in a safe, dry, childproof area.

SPECIFICATION:

Max capacity 450kg
Width 790mm
Length 950mm
Height 930mm



2. ASSEMBLY

Note: All the following numbers refer to Fig.1 and parts list below.

- 2.1. Remove mounting plate (5) from main post (1).
- 2.2. Loosely attach main post (1) to side leg (3) with bolts (24), washers (12 & 25) and nuts (15).
- 2.3. Slide main beam (20) into base of main post (1) and loosely secure with bolt (4).

Note: Main beam (20) must be assembled with bracket (A) as shown.

- 2.4. Fit castor leg (21) to main beam (20) with bolts (24), washers (12 & 25) and nuts (15).
Note: Castor leg (21) must be fitted with castor mounting holes facing downward.
- 2.5. Tighten all nuts/bolts.
- 2.6. Fit castors (14) to castor leg (21) with nuts (10) and washers (11 & 17).
- 2.7. Slide wheels (Fig.2.23) onto pins on wheel leg (3) and retain with washers (17) and locking clip (19).

Note: Wheel hubs are not symmetrical - fit with longer hub inward.

- 2.8. Refit mounting plate (5) to main post (1) and locate with locking pin (6).
- 2.9. Attach the four mounting arms (Fig.3.7) to mounting plate (5) with bolts (8), washers (9 & 11) and nuts (10).
- 2.10. Insert handle (26, NOT SHOWN) through hole in stem of mounting plate (5).

PARTS LIST

ITEM	PART NO.	DESCRIPTION
1	ES450.V2-01	MAIN POST
3	ES450.V2-03	SIDE LEG, FIXED
4	ES450.V2-04	BOLT (1/2"X3")
5	ES450.V2-05	HEAD MOUNTING PLATE
6	ES450.V2-06	LOCKING PIN
7	ES450.V2-07	MOUNTING ARMS
8	ES450.V2-08	BOLT (1/2"X2 1/2")
9	ES450.V2-09	FLAT WASHER 1/2"
10	ES450.V2-10	NUT (H3X1/2NC)
11	ES450.V2-11	LOCKING WASHER 1/2"
12	ES450.V2-12	FLAT WASHER 3/8"
14	ES450.V2-14	CASTER WHEEL
15	ES450.V2-15	NUT 3/8NC
17	ES450.V2-17	FLAT WASHER 3/4"
19	ES450.V2-19	LOCKING CLIP
20	ES450.V2-20	MAIN BEAM
21	ES450.V2-21	CASTOR LEG
22	ES450.V2-22	MAIN POST LABEL
23	ES450.V2-23	WHEEL 4"
24	ES450.V2-24	BOLT (3/8"X2 3/4")
25	ES450.V2-25	LOCK WASHER 3/8"
26	ES450.V2-26	HANDLE (NOT SHOWN)