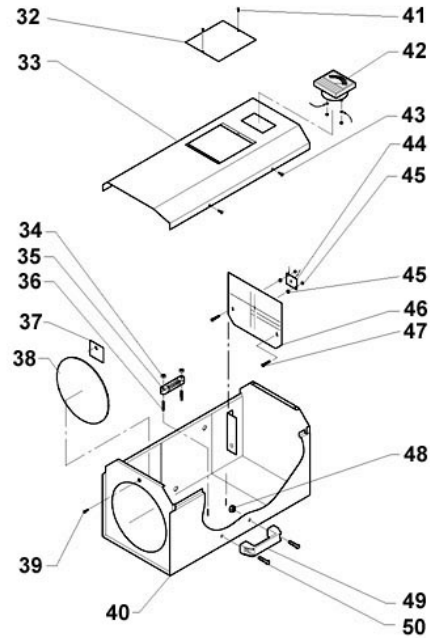
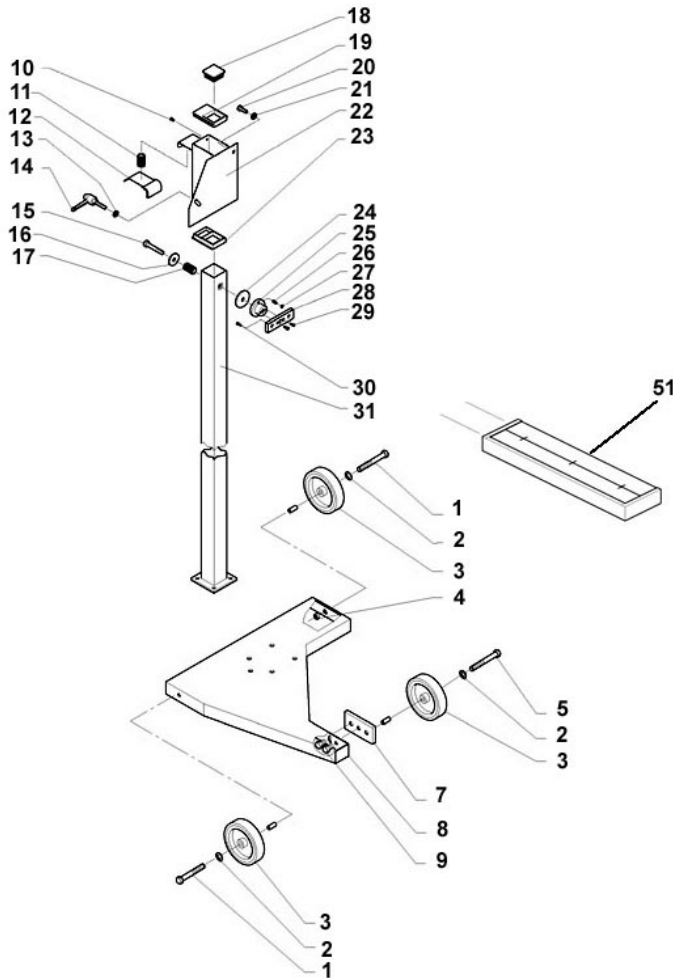


Date: 060405
 Issue: 3



Item	Part No.	Description
1	TCNA2010011	Screw
2	TCNC0010005	Washer
3	TCNR0010011	Wheel
4	TCNB1010006	Nut
5	TCNA2010002	Screw
6	TCNA2010005	Screw
7	TC020010091	Flat
8	TC020010001	Triangular base
9	TCNA0010025	Screw
10	TCNA4010005	Screw
11	TC026010011	Spring
12	TC025010135	Lever
13	TCNC0010005	Washer
14	TCNR5020009	Lever
15	TCNA2010034	Screw
16	TC025010119	Washer
17	TC025020009	Spring
18	TCNR5020046	Plug
19	TC025010130	Sliding block
20	TCNA2010013	Screw
21	TCNC0010005	Washer
22	TC025010005	Vertical slipping
23	TC025010130	Sliding block
24	TC025010123	Washer

Item	Part No.	Description
25	TC025010121	Rectangular sleeve
26	TCNA3010005	Dowel
27	TCNB0010008	Nut
28	TC025010122	Frontal flat
29	TCNA0010033	Screw
30	TCNA0010015	Screw
31	TC020010092	Column
32	TC020310007	Plexiglass cover
33	TC022010115	Cover
34	TCNB0010005	Nut
35	TC020010038	Level
36	TC020010037	Nut for level
37	TC020010238	Plate
38	TC025030014	Lens
39	TCNA4010008	Screw
40	TC022010113	Optics box
41	TCNA4010030	Screw
42	TC020020053	Luxmeter
43	TCNA4010006	Screw
44	TC020030036	Wiring harness
45	TCNB0010004	Nut
46	TC027010037	Control pannel
47	TCNA1010005	Screw
48	TCNB1010003	Nut
49	TC025030011	Handle
50	TCNA0010009	Screw
51	TC025020011	Mirror visor