

Thank you for purchasing a Sealey Product. Manufactured to a high standard this product will, if used according to these instructions and properly maintained, give you years of trouble free performance.



IMPORTANT

PLEASE READ THESE INSTRUCTIONS CAREFULLY. NOTE THE SAFE OPERATIONAL REQUIREMENTS, WARNINGS AND CAUTIONS. USE THIS PRODUCT CORRECTLY AND WITH CARE FOR THE PURPOSE FOR WHICH IT IS INTENDED. FAILURE TO DO SO MAY CAUSE DAMAGE OR PERSONAL INJURY, AND WILL INVALIDATE THE WARRANTY. PLEASE KEEP INSTRUCTIONS SAFE FOR FUTURE USE.



GENERAL RULES. Read instruction manual carefully before using the headlight beam tester.

TO AVOID DAMAGE ENSURE THE FOLLOWING IS STRICTLY APPLIED.

- | | |
|--|---|
| DO NOT allow unqualified persons to operate this device. | DO ensure that there is good lighting |
| DO NOT use this device in direct sunlight. | DO put the handbrake on. |
| DO NOT splash the unit with water or any other liquid. | DO avoid sudden changes in temperature. |
| DO ensure the work area is well ventilated. | DO avoid sudden vibration. |

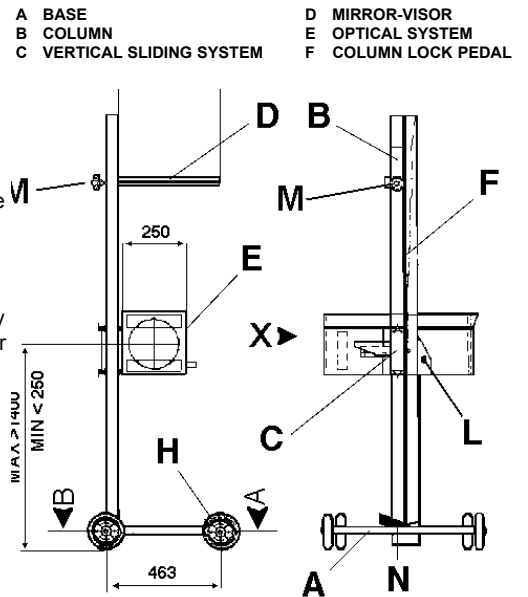
1. DESCRIPTION

The SEALEY HEADLAMP BEAM SETTERS, HBS97.V2 & HBS971 are supplied with a rotating column, mirror and visor. The HBS97.V2 has the addition of a rail set. Either HEADLAMP BEAM SETTER may be used for checking headlights on cars, motorcycles and commercial vehicles. The HBS97.V2 is approved by VOSA for testing all vehicle classes with the appropriate set of rails (Excluding HGV).

| | | |
|------------------------|-----------------------------|--|
| SPECIFICATIONS: | Height1520/1770mm | Maximum height of beam measurement1410mm |
| | Width610mm | Minimum height of beam measurement240mm |
| | Length610mm | Focal Length500mm |

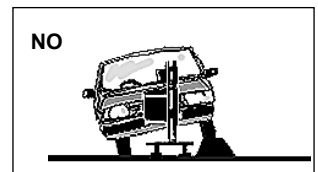
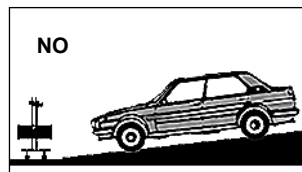
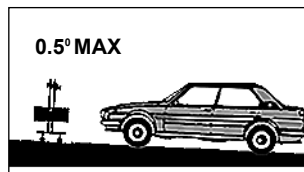
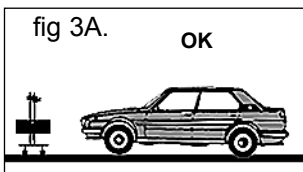
2. ASSEMBLING THE BEAM SETTER

- 2.0 Place large metal washer over spigot at base of column B.
- 2.1 Insert column spigot into bearing in base A and retain with socket cap bolt and washer provided.
- 2.2 Attach mirror-visor D to the rotating metal friction plate at the top of the column using the two socket cap bolts provided.
- 2.3 Fit the optical system E to the vertical - sliding system using an M8 bolt in both the top and bottom holes.
- 2.4 If the unit is to run on rails these need to be fixed to the floor of the test bay with low profile fixings that will not interfere with the movement of the wheels.
- 2.5 To ascertain the correct positions for the rails place a typical vehicle in the test bay and follow the test procedure without rails. When the unit is correctly positioned for one headlamp mark the wheel positions on the floor including a longitudinal centre line. Roll the unit over to the other headlamp, check the alignment, and mark the floor again.
- 2.6 Place the rails loose on the floor using the markings made and put the unit on them. Roll the unit from one lamp to the other and recheck the alignment. When satisfied that all is correct fix the rails to the floor.
- 2.7 HBS97.V2 is approved by VOSA for class I,II,III and IV as delivered, and by purchasing HBS97E Rail Extensions the unit is also suitable for Class V, VI,VII. For testing classes I, II, III and IV the rails may be surface mounted. We recommend the rails be recessed into the floor for all other vehicle testing classes.



3. WORKING SURFACE

- 3.1 Position the vehicle on the designated headlamp aim standing area.
- 3.2 When positioning the HBS ensure the floor is perfectly even and level.
- 3.3 If this is not possible the vehicle and HBS must be on the same slope, which must not exceed 0.5°.
- 3.4 Headlights must not be checked where surfaces exceed 0.5° angle. (See fig 3A.)



4. VEHICLE PREPARATION

- 4.1 Straighten vehicle wheels.
- 4.2 Check the tyre pressure.
- 4.3 Ensure the headlights are clean and dry.
- 4.4 If the vehicle is fitted with manual or electric headlamp levelling devices, ensure these are set up for vehicle with normal load.
- 4.5 Remove anything which could alter the vehicles position, i.e. Snow, Ice, Mud, etc.

5. OPTICAL POSITIONING

5.1. Positioning.

Conventional, Double Ellipsoid (DE) Headlamps

Locate the HBS approximately 200 to 500mm from the vehicle headlamp.

Gas Discharge (Xenon) and Free Form (FF) Headlamps

Locate the HBS as close to the headlamp lens as possible. Close proximity between the lens and the HBS gives a more defined light/dark margin on the aiming screen enabling accurate alignment.

5. 1. 1 Use the visor to align with a horizontal, or two symmetrical points on the vehicle (fig.5) i.e. The bonnet lip or the bottom of the windscreen.
5. 1. 2. Ensure the visor lines match with your horizontal, or symmetrical selection, to ensure the HBS is parallel to the headlamp.
5. 1. 3. Measure the height from the floor to the centre of the headlight e.g. 80cm. Release the HBS unit by squeezing the lower lever upwards as shown in fig.4. Slide the unit up or down the column as required until the top surface of the sliding portion is aligned with 80 on the scale printed on the column as shown in fig.4A. Release the locking lever. There is a tolerance level of 30mm.

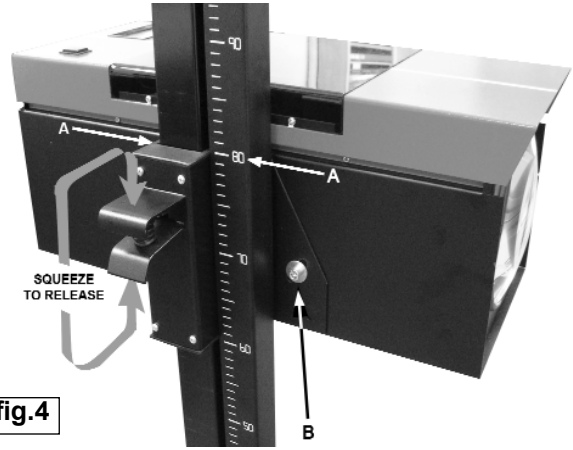


fig.4

5. 2. HBS Column Rotation Lock.

The HBS system is fitted with a rotating column and is suitable for use either on or off rails. If you are using the system on rails then the rotating column aids correct alignment. To release the column lock put pressure on the foot pedal in an anticlockwise direction as shown in fig.6A. To re-lock the column put pressure on the foot pedal in a clockwise direction as shown in fig.6B.

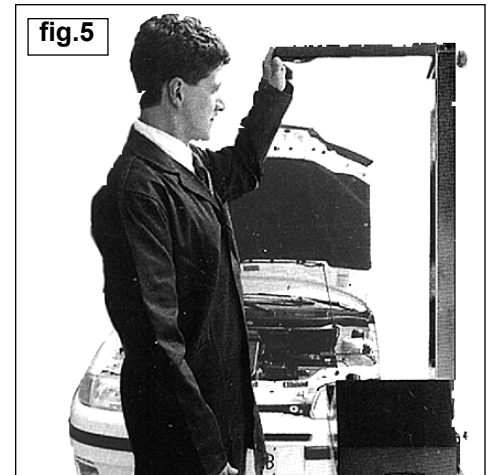
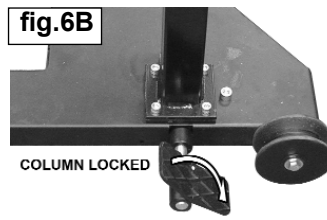
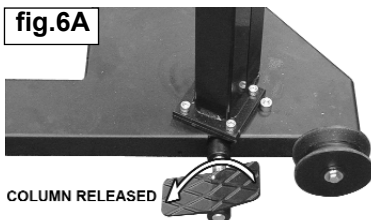


fig.5

6. METHOD OF INSPECTION

6. 1. Switch engine on.
6. 2. Align the headlamp aim equipment with the longitudinal axis of the vehicle.
6. 3. Align the centre of the collecting lens with the centre of the headlamp under test.
6. 4. With an assistant sitting in the driving seat, switch on the headlamps to the beam on which the headlamp is to be checked.
Note: When checking headlamp aim on vehicles with hydropneumatic suspension systems, it is necessary to have the engine idling.
6. 5. Determine the appropriate headlamp beam image and its aim (see fig 7.). Old vehicles (approx. pre 1950) headlamps beam image may not conform to fig 7, in such cases check:
 - a) **DIP BEAM** headlamps are aimed so they do not dazzle i.e. the beam image brightest part is aimed at least 0.5% below the horizontal (fig 8). Or, for headlamps which cannot be checked on dip beam, check:
 - b) **MAIN BEAM** headlamps are aimed so that the beam image centre is on or slightly below the horizontal (fig 9).

7. GRADUATED SCREEN

IMPORTANT

The HBS system uses a fixed graduated screen in accordance with the requirements of the MOT regulations.

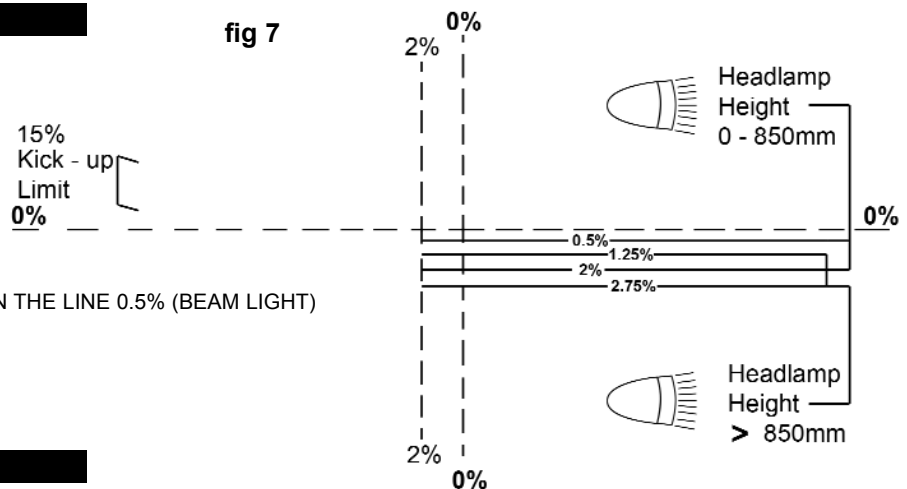
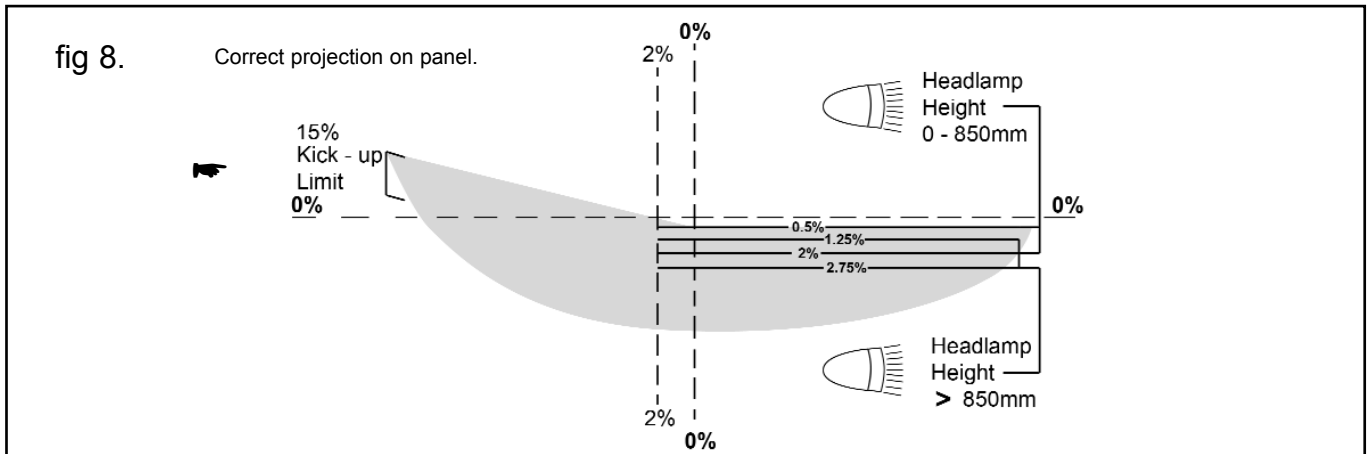


fig 7

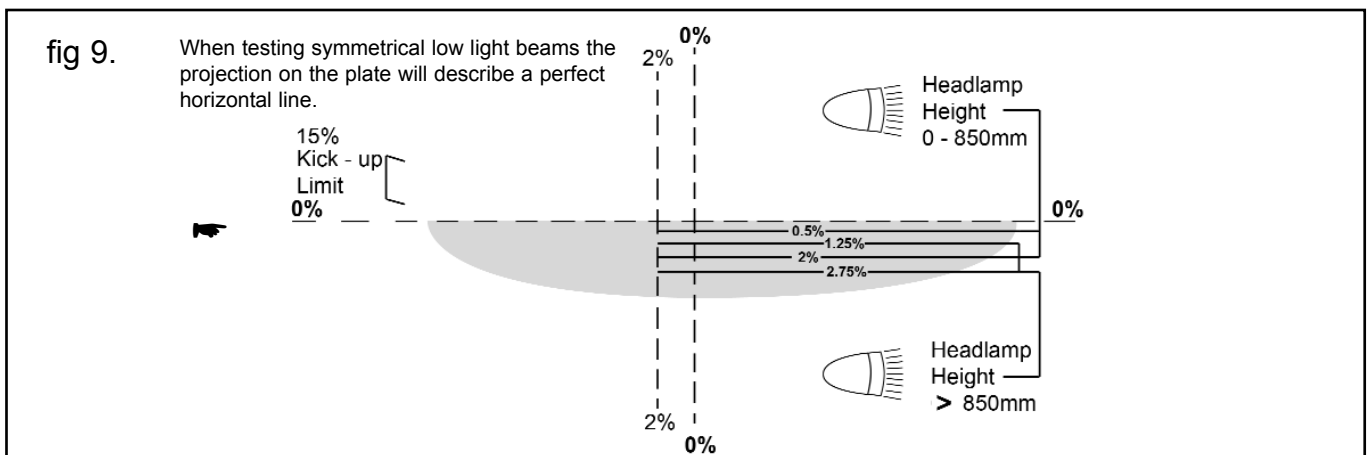
8. DIPPED BEAM

8. 1. Prepare the HBS and the car as previously instructed, then turn on the dipped beam.
8. 2. Check the headlamp beam tolerances are in accordance with MOT inspection manual, and are within operating tolerances of manufacturer's guidelines.
8. 3. Adjust the vehicles light regulating system until you obtain the required result.
8. 4. When testing the more commonly used asymmetrical headlight (see fig 7), remember that their projection will light up a section on the **LEFT** hand side of the plate with a corner of about 15° from the horizontal plane. Just under the centre, on the right, a small zone will appear brighter than the rest of the projection.

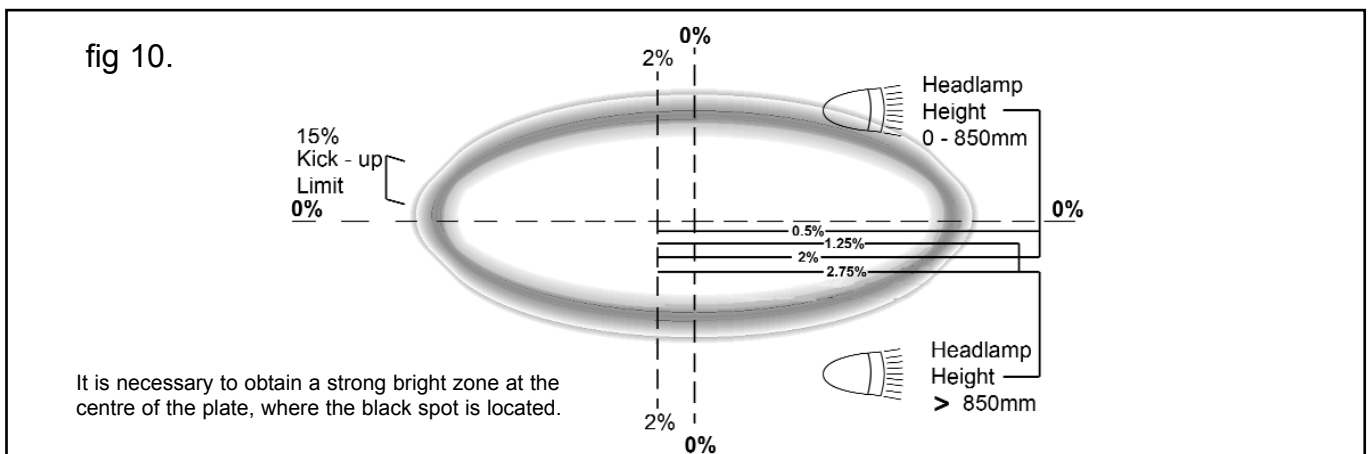
9. DIPPED BEAM



10. SYMMETRICAL LIGHTS



11. INDEPENDENT HEADLIGHTS



12. THE LUXMETER

The "Luxmeter" is colour graduated for clear reading as follows:

12. 1. Indicator at BAD/GOOD limit:
Use for vehicles travelling under 30mph (40Km/h) and motorbikes.
12. 2. Indicator at the centre of GOOD:
Use for vehicles travelling over 30mph (40Km/h)
12. 3. Indicator on HALOGEN:
Use for vehicles with halogen or iodine headlights.
12. 4. CONTROL OF THE HEADLAMP LIGHT INTENSITY
a) Switch on the headlamp main beam. b) Read the intensity on the luxmeter.

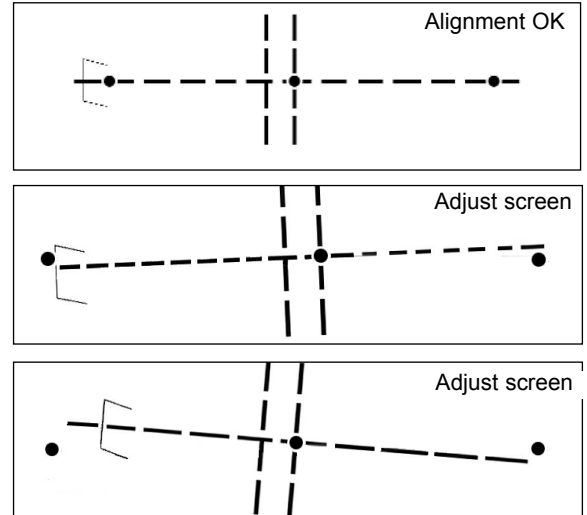
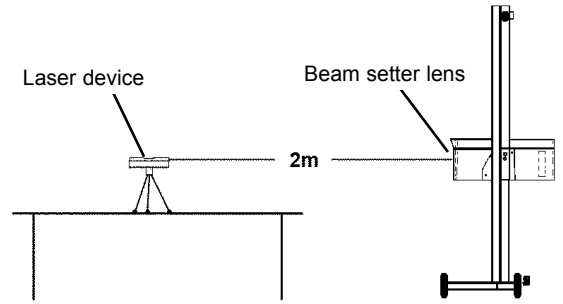


13. CALIBRATION

We suggest the unit is periodically checked for calibration in situ. If the unit is covered by a service agreement with the MOT package installer, they will carry this out on your behalf. Should you wish to regularly check the calibration yourself, we recommend you purchase an Alignment Device from your local dealer.

Periodical calibration of the relationship between the test area and the aiming screen is required. Calibration may be carried out using an AK9999 Laser Calibration Gauge or a similar serial numbered laser device calibrated to a traceable standard. For the purposes of calibration, it is assumed that the vehicle standing area is flat and level.

- 13.1 Place the calibration gauge within the vehicle standing area.
- 13.2 Switch on the laser and ensure the beam is flat and level by use of the integral spirit level.
- 13.3 Check that the optical box is flat and level by checking the spirit level in the base of the optical box. The spirit level may be viewed through the plexiglass cover. Adjust the pitch of the optical box by loosening the screw (See fig.4B). Ensure screw is re-tightened after adjustment.
- 13.4 Project the laser beam through the lens of the optical box. There is a $\varnothing 30\text{mm}$ margin for error in alignment of the beam centrally through the lens.
- 13.5 Align the projected red dot centrally on the screen. The dot should fall on the hatched 0% line.
- 13.6 Move the screen left and right across the beam by rotating the column and ensure that the dot remains on the 0% line indicating that the aiming screen is level.
- 13.7 If adjustment of the aiming screen is required;
 - 13.7.1 Undo the four screws which retain the plexiglass cover and remove it.
 - 13.7.2 Loosen the two screws which retain the aiming screen.
 - 13.7.3 Adjust aiming screen so that laser dot falls on 0% line.
 - 13.7.4 Retighten screws and replace cover.



Once calibration has been completed the serial numbers of the HBS and the calibration device used to complete the calibration should be recorded on a suitable document. This document should be retained for inspection by VOSA if required.

14. CARE OF THE BEAM TESTER

- 14.1. The paint work is detergent resistant. Clean with a damp cloth, removing any stains. A small amount of alcohol may be applied to stubborn areas of grime.
- 14.2. DO NOT leave the machine in areas where corrosive vapour is present, i.e. Battery charging or painting shops etc.
- 14.3. DO NOT oil the column.
- 14.4. An optical box dust cover is available upon request.

NOTE: It is our policy to continually improve products and as such we reserve the right to alter data, specifications and component parts without prior notice.



IMPORTANT: No liability is accepted for incorrect use of this product.

WARRANTY: Guarantee is 12 months from purchase date, proof of which will be required for any claim.

INFORMATION: For a copy of our catalogue and latest promotions call us on 01284 757525 and leave your full name, address and postcode.



Sole UK Distributor
Sealey Group,
Bury St. Edmunds, Suffolk.

 01284 757500
 01284 703534

 www.sealey.co.uk
 sales@sealey.co.uk