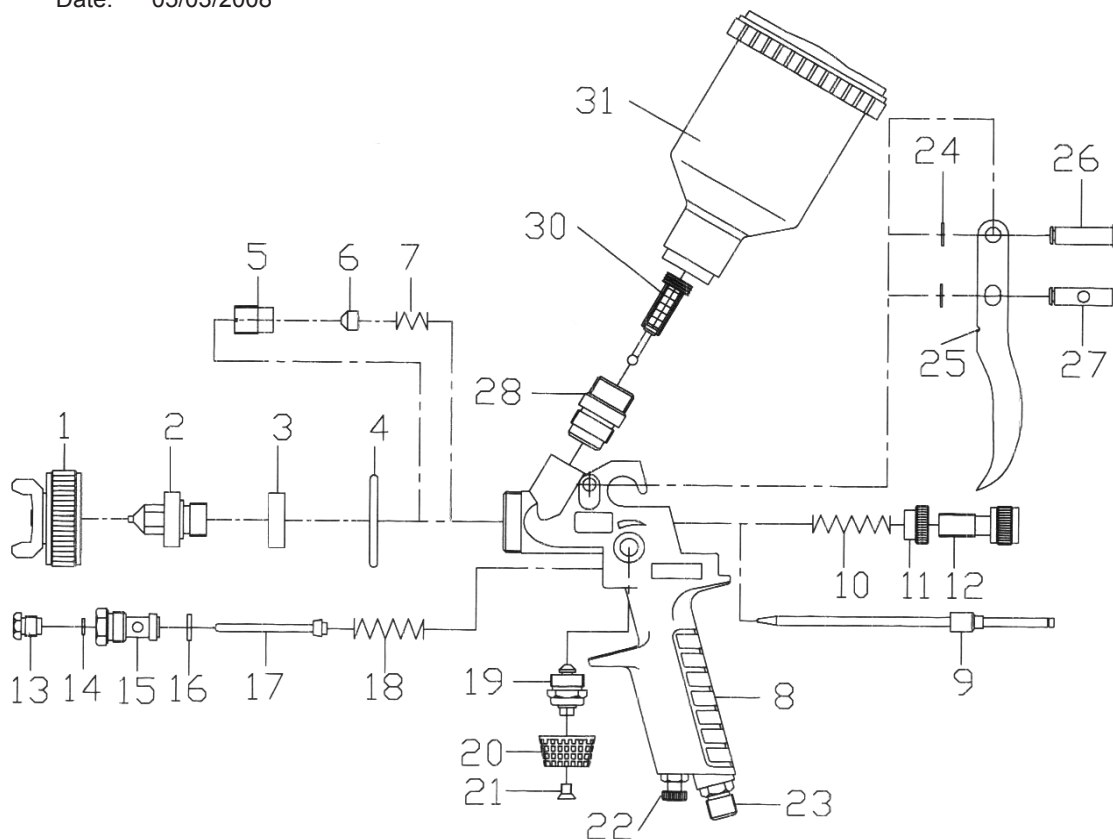




SPARE PARTS LIST FOR:
HVLP GRAVITY FEED TOUCH-UP SPRAYGUN
 MODEL:HVLP731

Issue: 2
 Date: 05/03/2008



ITEM	PART NO	DESCRIPTION	ITEM	PART NO	DESCRIPTION
1	HVLP731.01	AIR CAP	19	HVLP731.19	VALVE SEAT,FAN ADJUSTER
2	HVLP731.02	FLUID NOZZLE	20	HVLP731.20	SCREW CAP,FAN ADJUSTER
3	HVLP731.03	AIR DIVERSION	21	HVLP731.21	BOLT
4	HVLP731.04	AIR CAP GASKET	22	HVLP731.22	AIR ADJUSTMENT SEAT
5	HVLP731.05	NEEDLE PACKING NUT	23	HVLP731.23	AIR JOINT
6	HVLP731.06	NEEDLE PACKING GASKET	24	HVLP731.24	STOP RING
7	HVLP731.07	SPRING	25	HVLP731.25	TRIGGER
8	HVLP731.08	SPRAY GUN BODY	26	HVLP731.26	TRIGGER PIN
9	HVLP731.09	NEEDLE	27	HVLP731.27	NEEDLE PIN
10	HVLP731.10	NEEDLE SPRING	28	HVLP731.28	FLUID JOINT
11	HVLP731.11	ADJUSTMENT SCREW CAP	30	HVLP731.30	FILTER
12	HVLP731.12	FLUID ADJUSTMENT SCREW	31	HVLP731.31	PAINT CUP COMPLETE
13	HVLP731.13	AIR VALVE PACKING SCREW			
14	HVLP731.14	GASKET			
15	HVLP731.15	AIR VALVE SEAT			
16	HVLP731.16	AIR VALVE GASKET			
17	HVLP731.17	AIR VALVE POLE			
18	HVLP731.18	AIR VALVE SPRING			

OPTIONAL SET-UPS	
HVLP731.01A	AIR CAP 1.0mm
HVLP731.02A	FLUID NOZZLE 1.0mm
HVLP731.09A	NEEDLE 1.0mm



Sole UK Distributor
 Sealey Group,
 Bury St. Edmunds, Suffolk.

01284 757500
 01284 703534

www.sealey.co.uk
sales@sealey.co.uk