



INSTRUCTIONS FOR:
DIESEL PRESSURE WASHER 290bar
15ltr/min 10hp
 MODEL No: **PWDM3600**

Thank you for purchasing a Sealey product. Manufactured to a high standard this product will, if used according to these instructions and properly maintained, give you years of trouble free performance.



IMPORTANT: PLEASE READ THESE INSTRUCTIONS CAREFULLY. NOTE THE SAFE OPERATIONAL REQUIREMENTS, WARNINGS & CAUTIONS. USE THE PRODUCT CORRECTLY AND WITH CARE FOR THE PURPOSE FOR WHICH IT IS INTENDED. FAILURE TO DO SO MAY CAUSE DAMAGE AND/OR PERSONAL INJURY AND WILL INVALIDATE THE WARRANTY. PLEASE KEEP INSTRUCTIONS SAFE FOR FUTURE USE.

1. SAFETY INSTRUCTIONS

1.1. GENERAL SAFETY

- WARNING! RISK OF FLUID INJECTION.** *This washer operates at fluid pressures and velocities high enough to penetrate human and animal flesh. If there is an occurrence of fluid injection seek medical help immediately.*
- WARNING!** Stop the engine and disconnect the mains water supply before changing accessories or performing any maintenance.
- WARNING! Do not operate** the washer if damaged. Replace or repair using recommended parts only. Unauthorised parts may be dangerous and will invalidate your warranty. Use authorised Service agent only.
- ✓ Keep the washer in good condition. Regular maintenance will give the best and safest performance.
- ✓ Ensure you comply with the water supply company regulations before connecting to the mains. If you are connecting to the mains drinking water supply ensure you have a back flow preventer valve installed.
The water supply hose must be reinforced and have an internal diameter of 13mm (1/2"). The minimum water supply rate must be at least equal to the cleaner capacity. The water temperature must not exceed 50°C, and the pressure must not exceed 10bar.
- WARNING! DO NOT** operate the washer without the water supply connected. To do so will damage the machine.
- ✓ Position the washer as near as possible to the mains water supply.
- ✓ Only use recommended washing detergents. Failure to do so may cause corrosion to equipment and hoses.
- WARNING!** Use the washer on a flat, level surface, in a horizontal position. Failure to do so will invalidate your warranty.
- ✓ Wear safety goggles and adequate protective clothing, and anti-slip rubber soled footwear.
- WARNING!** The high pressure jet must be used with caution. Ensure you aim the lance correctly at the work surface. Failure to do so may scatter loose particles at the same force as the water pressure, resulting in possible damage or personal injury.
- ✓ Keep all persons and animals at a safe distance from the hose working area. It is difficult to give an exact safe distance as it will depend upon your circumstances. We recommend at least 15 metres (16 yards). Also ensure other persons are aware before you start to depress the washer trigger.
- ✓ Hold the gun firmly for it will tend to "kick" backwards when you first pull the trigger.
- ✗ **DO NOT** allow children or untrained persons to operate the washer.
- ✗ **DO NOT** connect other appliances to the washer inlet or outlet. Only use the supplied or recommended outlet nozzle.
- ✗ **DO NOT** use the washer if the water supply hose is damaged. Also check that the hose is laid out straight and safely.
- ✗ **DO NOT** jam the operating trigger in the operating position, and **DO NOT** pull the trigger without holding and aiming the gun correctly.
- WARNING! DO NOT** attempt to alter the pressure regulating valve as this may cause serious damage.
- ✗ **DO NOT** move the washer by pulling on the high pressure hose or the mains water supply hose. Use the machine handle.
- ✗ **DO NOT** direct jet against yourself, other persons or animals, electrical equipment or the machine itself.
- WARNING! DO NOT** leave the engine running for more than 2 minutes without operating the trigger, as temperature/pressure increase may damage the sealing system.
- ✗ **DO NOT** use the washer if you are tired or under the influence of alcohol, drugs or intoxicating medication.
- ✓ Ensure that the hose pressure is discharged before disconnecting the mains water hose.
- ✓ When not in use, disconnect from the water supply. Clean and dry the washer and store in a safe, dry, childproof area.
- ✗ **DO NOT** allow the machine to become frozen.
- ENGINE SAFETY**
- WARNING! Check the engine oil level before each startup.** Only use an approved oil and never operate the engine with insufficient oil.
- ✓ For safety instructions relative to the maintenance and use of the engine refer to the engine instruction manual.
- ✓ Ensure that only the correct fuel type and grade is used.
- ✗ **DO NOT** operate the washer in an enclosed area as the motor exhaust fumes are a health hazard.
- ✗ **DO NOT** use the washer with flammable, toxic or corrosive liquids.
- ✗ **DO NOT** leave the washer unattended whilst operating, and **DO NOT** remove the fuel cap whilst the engine is running.
- ✗ **DO NOT** refuel the engine whilst it is running. Stop the engine and allow it to cool for two minutes before attempting to refuel.
- ✗ **DO NOT** refuel in a closed or poorly ventilated environment as there is a danger of explosion or fire. Refuel outdoors.
- ✗ **DO NOT** smoke or place the washer near any naked flames whilst re-fuelling.
- ✗ **DO NOT** operate washer if there is a fuel leak. Move the unit and avoid using until the leak has been fixed and the machine is dry.
- ✗ **DO NOT** start the engine if there are any flammable materials near the exhaust system or in the path of the exhaust gases.
- ✗ **DO NOT** block the engine ventilation grilles.
- ✓ Ensure engine fuel is stored in an approved container.
- ✓ For long term storage ensure the fuel is drained and that the washer is adequately protected against frost.
- ✗ **DO NOT** operate the engine with either the silencer or air filter removed.
- ✗ **DO NOT** touch the engine during or after use. To avoid burns allow it to cool before handling.
- WARNING!** The warnings referred to in this guide cannot cover all possible conditions and situations that may occur. It must be understood that common sense and caution are factors which cannot be built into this product, but must be applied by the operator.

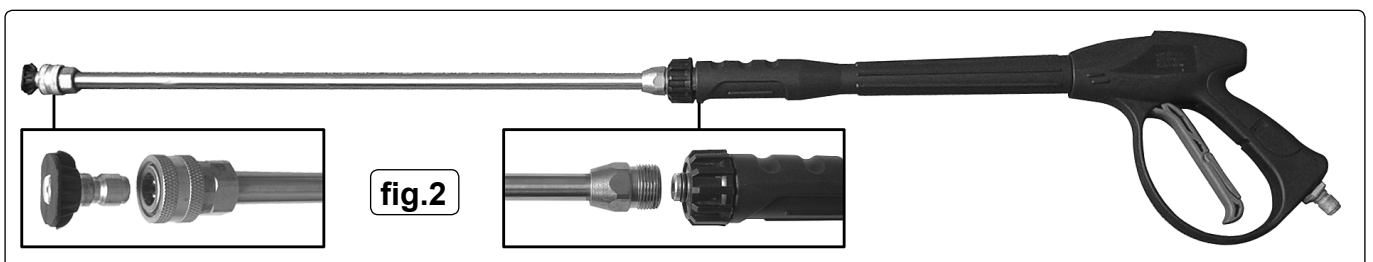
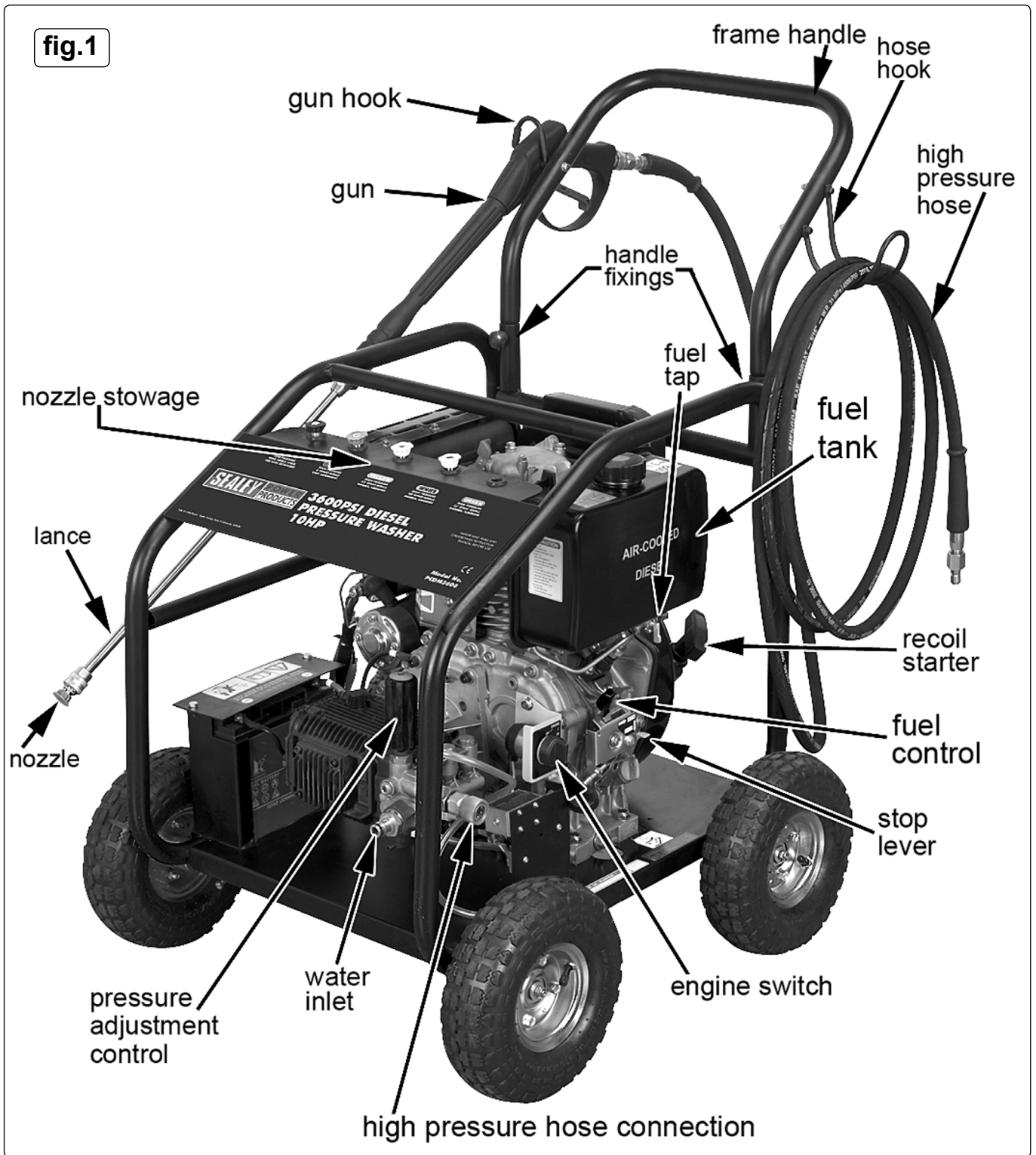
2. SPECIFICATION & INTRODUCTION

Model No: **PWDM3600**
 Mainfold Pressure 250bar/3625psi
 Maximum Pressure: 290bar/4205psi
 Flow Rate: 15ltr/min
 Hose Length: 5mtr
 Nozzles: 5
 Maximum Inlet Temperature: 50°C
 Engine Type: 4 Stroke, single cylinder, diesel

Engine Capacity: 418cc
 Engine Power 10hp
 Starting: Electric and Recoil
 Fuel Tank: 7ltr
 Fuel: Diesel
 Fuel Consumption: 1.7 - 2.3 ltr/hr
 Weight: 100kg
 Noise Level: 116dB(A)

2.2. INTRODUCTION:

Diesel powered pressure washer with electric and recoil starting. Offers high pressure and high flow with diesel economy. Ideal for commercial applications with 5mtr pressure hose, 1mtr gun and lance and five interchangeable nozzles. Low-pressure liquid detergent injection system. Safety latch on trigger, automatic low-oil engine shutdown and thermal pump relief valve reduce risks of misuse and equipment damage. Pneumatic tyres. Supplied with tools, spare fuel filter and gasket set..



3. ASSEMBLY / PRE-OPERATION

Unpack contents and check to ensure all parts are in good condition. If you experience any problems contact your dealer immediately.

3.1. ASSEMBLY. (See fig.1)

- 3.1.1. Attach the frame handle to the main frame by pushing the ends of the handle into the vertical sockets welded to the back top cross member seen in fig.1. Ensure that the holes in the ends of the frame handle align with the holes in the vertical sockets. Secure the two parts of the frame together by pushing a handle fixing (with black knob) through both tubes. Lock each fixing using screw and nut.
- 3.1.2. Attach the hose hook to the side of the frame handle which has two mounting holes, using using two cross head screws, nuts and washers.
- 3.1.3. Attach the gun hook to the side of the frame handle which has one mounting hole, using two screws, nuts and washers .
- 3.1.4. Attach the wheels by sliding the stub axle on each wheel into the axle tubes that are welded on the underside of the frame. This will involve turning the unit onto its sides. This should be done before oil is added to the engine and before fuel is added to the tank. As each wheel stub axle is inserted into the axle tubes, lock it in place by inserting a locking bolt into the nuts welded on the tubes. Tighten each bolt firmly.
- 3.1.5. Screw together the two halves of the lance as shown in fig.2.
- 3.1.6. Select an appropriate nozzle from the nozzle stowage area. Pull back the spring loaded sleeve at the end of the lance and insert the nozzle. Let go of the sleeve and check that the nozzle is firmly gripped in the fitting. The nozzle selection is colour coded and offers the following options.

BLACK	Low pressure wide angle spray for use with detergent.
RED	High pressure, 0° degree spray, Very Aggressive.
YELLOW	High pressure, 15° Spray angle, normal cleaning.
WHITE	High pressure, 40° Spray angle, normal cleaning.
GREEN	High pressure, 25° Spray angle, normal cleaning.

- 3.1.7. To attach the high pressure hose to the water inlet on the gun, first pull back the spring loaded collar on the hose fitting and push it onto the inlet on the gun and release the collar as shown in fig.3 & fig.4.
- 3.1.8. Attach the other end of the high pressure hose to the pump outlet as shown in fig.5. Pull back the brass sleeve on the connection. Insert the hose and release the sleeve.
- 3.1.9. Connect the mains water supply hose to the pump inlet as shown in fig.5. **USE COLD WATER ONLY.**

Note: The water supply hose must be reinforced and have an internal diameter of 13mm (1/2"). The minimum water supply rate must be at least equal to the washer flow rate.

3.2. DETERGENT DELIVERY.

- 3.2.1. Attach the BLACK low pressure nozzle to the end of the lance. Remove the cap from a bottle of detergent and place the bottle in front of the machine.
- 3.2.2. On the top of the pump outlet is a brass siphon injection fitting. Push the detergent input pipe onto the fitting (fig.5) and place the filter on the other end into the container of detergent ensuring that it goes all the way to the bottom. When used with the low pressure black nozzle, detergent will be drawn from the container by siphonic action and will mix automatically with the water from the pump. Use Sealey General Purpose Detergent, **AK130 (25ltr)** or **AK131 (5ltr)**. Sealey Traffic Film Remover is also available, **AK132 (25ltr)** or **AK133 (5ltr)**.

3.3. ENGINE LUBRICATION.

- 3.3.1. **THE PRESSURE WASHER ENGINE IS SHIPPED FROM THE FACTORY WITHOUT OIL. DO NOT ATTEMPT TO START THE ENGINE BEFORE THE SUMP HAS BEEN FILLED WITH THE CORRECT AMOUNT OF OIL.** Refer to the section 7.2.

3.4. FUEL.

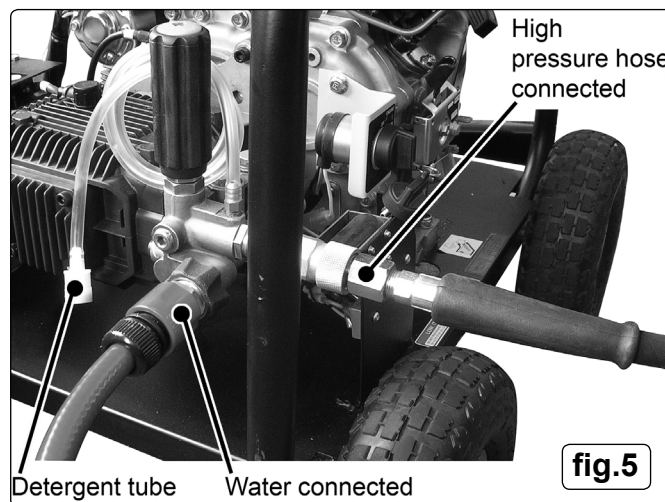
- 3.4.1. Fill the tank with fresh diesel fuel. Keep fuel level below the fuel filter which sits in the neck of the tank.

3.5. PUMP.

- 3.5.1. The pump is supplied without engine oil. Fill with an approved engine oil to the oil level before using the unit. The combined oil filler cap and dipstick is on top of the pump. The oil level can also be seen in the sight glass on the end of the pump.

3.6. SITING OF UNIT.

- 3.6.1. Ideally the unit should be used on level ground. Where this is not possible the unit should not be inclined more than 20° in any one direction.



3.7. RUNNING IN THE ENGINE.

- 3.7.1. For the first 20 hours of operation the unit should not be placed under heavy load. After the first 20 hours change the oil.

4. SAFETY FEATURES

4.1. THERMAL RELIEF VALVE.

- 4.1.1. A thermal relief valve is fitted to protect the machine from overheating if the gun remains closed for an extended period of time or if the nozzle becomes blocked. To prolong the life of the washer every effort should be made to avoid overheating. It is recommended that if the unit is not going to be used for two minutes or more it should be switched off.

4.2. TRIGGER LOCK.

- 4.2.1. To prevent accidental starting of the pressure washer the trigger can be locked as shown in fig.4 by pulling up the lever built into the back of the trigger and pressing it until it snaps into an indent in the handle. To release the locking lever flex the trigger handle forwards and flip the lever out of the indent and fold it back into the trigger. The trigger should be locked whenever the washer is not in use.

4.3. LOW OIL SHUTDOWN.

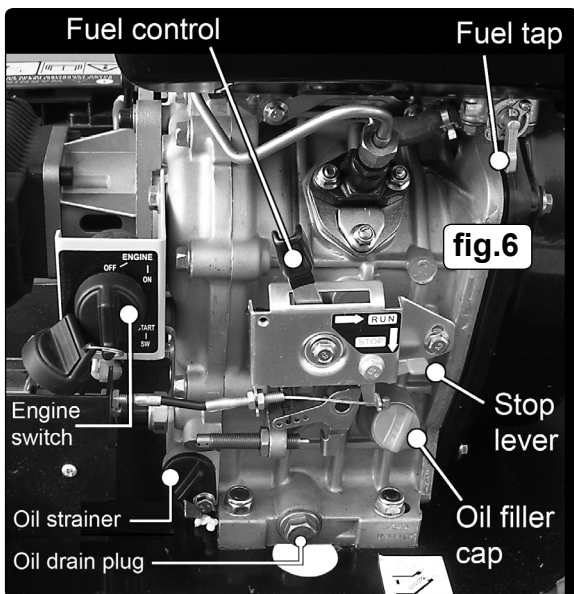
- 4.3.1. The engine on this washer is equipped with a low oil shutdown feature which stops the engine if the oil drops below a specified level. Should the engine cut out, first check that it is standing on a level surface. If the oil level is still low top it up as described in Section 7.2.

5. OPERATION

- ❑ **WARNING! RISK OF FLUID INJECTION.** This washer operates at fluid pressures and velocities high enough to penetrate human and animal flesh. If there is an occurrence of fluid injection seek medical help immediately.
- ❑ **WARNING! Ensure you read, understand and apply Section 1 safety instructions.**
- ❑ **WARNING! Dry running can seriously damage the unit.**
- ❑ **WARNING! DO NOT leave motor running for more than 2 minutes without operating the trigger, as temperature/pressure increase may damage sealing system.**
- ❑ **WARNING! If the engine switch is left switched to the 'ON' position when not in use, a drain on the battery will occur over long periods of time. To prevent this the switch must be switched to 'OFF' when the unit is not in use.**

5.1. MANUAL STARTING PROCEDURE.

- 5.1.1. Check engine oil level before each use.
- 5.1.2. Check that the mains water feed hose is laid straight, and then fully open the water tap. Check to ensure there are no leaks from hoses or connections.
- 5.1.3. Release gun trigger safety catch and depress trigger to allow any air left in the system to escape, hold for 10 seconds and release.
- 5.1.4. Rotate the engine switch clockwise to the ON position. See fig.6.
- 5.1.5. Fig.6 shows the fuel tap in the OFF position. Push the fuel tap up to the left to the open position.
- 5.1.6. Move the fuel control lever to the 'RUN' position where it will latch.
- 5.1.7. Take hold of the recoil starter handle (see fig.1) and pull it slowly until you feel resistance, then let it return slowly.
- 5.1.8. Push the decompression lever down and release it. (see fig.7).
- 5.1.9. Now pull the starting handle hard and fast all the way out. Use two hands if necessary.
- 5.1.10. If the engine doesn't start repeat the process from 5.1.8.
- 5.1.11. NOTE: The engine is fitted with a cold start device. When starting in low temperature conditions, press the heater switch and hold for 20 to 30 seconds. Release the button and perform sections 5.1.4. to 5.1.9. inc.



5.2. ELECTRIC STARTING PROCEDURE.

- 5.2.1. Check engine oil level before each use.
- 5.2.2. Check that the mains water feed hose is laid straight, and then fully open the water tap. Check to ensure there are no leaks from hoses or connections.
- 5.2.3. Release gun trigger safety catch and depress trigger to allow any air left in the system to escape, hold for 10 seconds and release.
- 5.2.4. Fig.6 shows the fuel tap in the OFF position. Push the fuel tap up to the left to the open position.
- 5.2.5. Move the fuel control lever to the 'RUN' position where it will latch.
- 5.2.6. Rotate the engine switch clockwise to the ON position. See fig.6.
- 5.2.7. When you are ready, turn the key to the 'START' position and hold it there until the engine starts. Release the key as soon as the engine starts. If the engine does not start within ten seconds release the key. Wait 15 seconds before attempting a restart.
- 5.2.8. Once the engine is running the speed is automatically adjusted according to the amount of load placed on it. The speed setting is factory set. If a running speed problem arises the unit should be returned to your Sealey dealer for adjustment by a qualified service engineer.

5.3. CLEANING.

- 5.3.1. Only apply detergent using the black low pressure nozzle.
- 5.3.2. Depress the trigger to apply the detergent to the dry surface which is to be cleaned. Vertical surfaces must be cleaned from the bottom upwards.
- 5.3.3. When detergent application is complete remove the syphon tube from the detergent container and place it in a container of clean water. Run the washer at low pressure to purge the gun of detergent.
- 5.3.4. Leave the detergent to act for 1-2 minutes, but **DO NOT** allow the surface to dry.
- 5.3.5. The detergent should be rinsed off using either the YELLOW, WHITE or GREEN high pressure nozzles depending on the spray angle required. **DO NOT use the RED nozzle as the aggressive spray action may erode the surface being cleaned. Always lock the gun trigger before changing nozzles.**
- 5.3.6. Hold the gun firmly and position the nozzle at least 30cm (12") from the surface and commence washing with high pressure clean water. Work from the bottom upwards, and avoid the water running onto unwashed surfaces.

5.4. SHUT DOWN PROCEDURE.

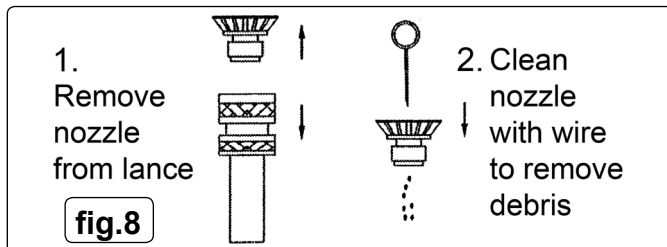
- 5.4.1. When cleaning has finished and the unit is no longer required allow the engine to run unloaded for 3 minutes before shutting down.
- 5.4.2. Stop the engine by pushing the red stop lever downwards. (See fig.6)
- 5.4.3. Turn the engine switch to the OFF position and remove the key. (See fig.6)
- ❑ **WARNING! If the engine switch is left switched to the 'ON' position when not in use, a drain on the battery will occur over long periods of time. To prevent this the switch must be switched to 'OFF' when the unit is not in use.**
- 5.4.4. Turn off the fuel tap. (See fig.6)
- 5.4.5. Turn off the mains water supply.
- 5.4.6. Discharge residual pressure from the washer by pressing the trigger until no more water comes out of the nozzle.
- 5.4.7. Engage the gun trigger safety catch.
- ❑ **CAUTIONS!**

- a) Avoid sudden bursts of water as this will cause the water pressure to drop and put extreme pressure on the hoses and connections.
- b) If another person is using water from the same supply as the washer, the water pressure will drop and the washer will not operate correctly. Switch the engine off immediately and wait until the pressure is restored.

6. MAINTENANCE (WASHER)

Maintenance should only be performed with the engine turned off and the unit disconnected from the mains water supply.

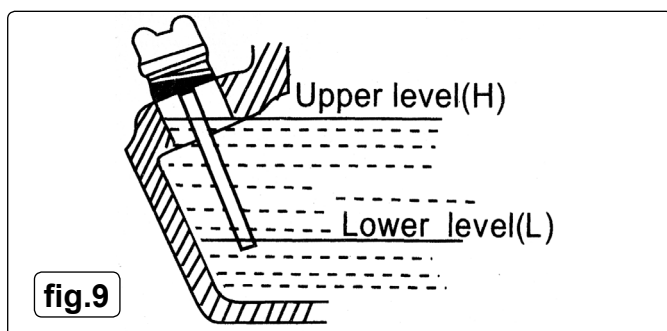
- 6.1. **CLEANING THE NOZZLES.** Pull back the brass sleeve on the end of the lance and pull out the nozzle. Clean the nozzle with wire provided (fig 8). If this does not improve the flow from the nozzle it should be replaced.



- 6.2. **WATER INLET FILTER.** Check and clean the water inlet filter every 50 operating hours. The filter is moulded into a rubber washer. Unscrew the brass connector from the black fitting on the water inlet on the pump. Push the black fitting backwards which will eject the filter/washer and then clean the filter washer. If the filter is damaged in any way it should be replaced.
- 6.3. **DETERGENT FILTER.** Check and clean the detergent filter at the end of the detergent input tube on a regular basis.
- 6.4. **WINTER STORAGE.** Fill the pump with an antifreeze mixture before storing in a frost free, safe, dry area for the winter. Introduce the antifreeze by the following method:
- 6.4.1. Shut off the water supply and disconnect the supply hose. Relieve pressure within the pump by squeezing the gun trigger. Remove the high pressure hose and let all water drain from it. Hold gun/lance with nozzle downwards and pull trigger until all water has drained out.
- 6.4.2. Connect a short length of garden hose to the water inlet and using a funnel pour an antifreeze mixture into it.
- 6.4.3. Pull the recoil starter several times to circulate the antifreeze through the pump. Continue to add antifreeze and pull the recoil until antifreeze is expelled from the pump.

7. MAINTENANCE (ENGINE)

- 7.1. Change engine oil after the first 20 hours of operation. Thereafter, change oil every three months or every 100 hours of operation. Change oil more often if engine is operated under heavy load, or in high ambient air temperatures. During normal operation, partially burned fuel, small particles of metal from the cylinder walls, pistons, bearings and combustion deposits will gradually contaminate the oil. If the oil is not changed regularly, these foreign particles can cause increased friction and a grinding action which shortens the life of the engine. Fresh oil also assists in cooling. Old oil will gradually thicken and lose its cooling ability as well as its lubricating qualities.

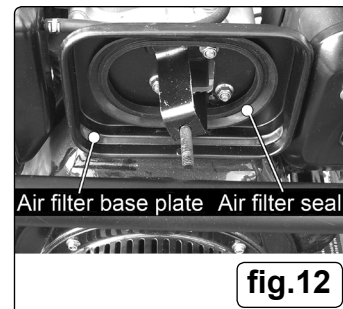
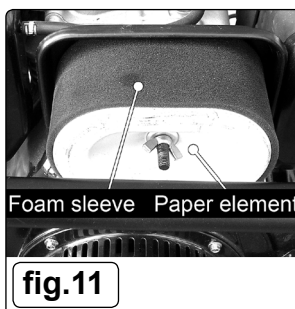


- 7.2. **CHECKING THE OIL LEVEL.** Ensure the unit is level.
- 7.2.1. Unscrew the dipstick/oil filler cap (see fig.6) and wipe it clean of oil. Note that the maximum oil level should be just below the opening of the filler neck.
- 7.2.2. Check the oil level by seating the dipstick into the hole without screwing it in. See fig.9 above. On removal the oil level should be between the two marks on the dipstick. If it is at the lowest level or below, top-up immediately with an SAE10W30 (CC or DD) oil.
- 7.2.3. Screw dipstick fully home to seal oil fill hole. Note: The engine is fitted with a low oil sensor which will automatically shut the engine down in a low oil situation. The sensor may also operate if the unit is not on a level surface.
- 7.3. **CHECKING THE OIL STRAINER. (see fig.6)**
- 7.3.1. Check, clean and/or replace the oil strainer every time the oil is changed as this can only be done when the sump is empty. Undo the retaining bolt and withdraw the strainer. Clean/rinse the strainer in clean diesel fuel and re-insert it. Ensure the retaining bolt is replaced.

- 7.4. **FUEL FILTER.** The fuel filter is in the neck of the fuel tank.
- 7.4.1 Clean it every 100 hours and replace it every 500 hours.
- 7.5. **ENGINE STORAGE.** If the unit is not to be used for more than one month the following procedure should be followed:
- 7.5.1 Change the oil. Operate the engine for 3 minutes to warm the oil then stop the engine using the shut down procedure described in section 5.4. There is a hole in the chassis below the oil drain plug. See fig.6. Place a suitable container below the hole, remove the plug and allow the oil to drain. Replace the drain plug and refill with fresh oil. Check the oil level using the dipstick. Dispose of the old oil according to local authority guidelines.
- 7.5.2 Drain the diesel fuel from the fuel tank, fuel line and fuel tap.
- 7.5.3 Push and hold down the decompression lever whilst the engine is turned over 2 or 3 times using the recoil starter. Let go of the decompression lever then pull the starter handle slowly until an increase in pressure is felt indicating that the piston has commenced its compression stroke and leave it in this position. This closes both the intake and exhaust valves and prevents the inside of the cylinder from rusting.
- 7.5.4 Cover the unit and store it in a clean dry place that is well ventilated and away from open flame or sparks.



- 7.6. **AIR FILTER.** The air filter is situated between the engine and the frame, below the frame handle (see fig.10). To access the air filter element unscrew and remove the wing nut on the front of the cover. Pull the black cover outwards and off its threaded mounting rod until it touches the frame, then lift it upwards and away to reveal the element as shown in fig.11. Unscrew the wing nut from the top of the filter element and pull the element from the threaded rod.
- 7.6.1. Remove the foam sleeve from the outside of the element and tap the element on a hard surface to dislodge any dust accumulations from the paper part of the element. If compressed air is available it can be used to blow out the element. Do not use a brush as this will be more likely to force dirt into the paper. If the paper element is heavily contaminated replace it.
- 7.6.2. Wash the foam sleeve with a household detergent or a high flash-point solvent and squeeze dry. When the sleeve is thoroughly dry, soak it in clean engine oil. Squeeze out any excess oil and stretch the sleeve back over the element. Place the element back over the threaded rod and make sure it seats properly onto the seal on the air filter base plate as in fig.12. Secure the element with the wing nut. Place the outer cover back over the element and secure it with the other wing nut.
- 7.6.3. The whole filter should be replaced after every 500hrs of service.



8. ENGINE MAINTENANCE SCHEDULE

Operation hours	Daily	First month or 20hrs	Every 3 months or 100hrs	Every 6 months or 500hrs	Every year or 1000hrs
TASK					
Check and tighten bolts and nuts	✓				
Check engine oil level & top up if required	✓				
Change engine oil		✓ 1st time only	✓ 2nd time & thereafter		
Clean and/or replace engine oil strainer		✓ 1st time only	✓ 2nd time & thereafter		
Check for oil leaks	✓				
Replace air cleaner element		Service more often in dusty areas		✓	
Drain/clean fuel tank		✓ Every month			
Clean and/or replace fuel filter			✓ Clean	✓ Replace	
Check fuel injection nozzle				✓	
Check fuel injection pump				✓	
Check fuel piping				✓ Replace if necessary	
Adjust intake and exhaust valve clearances		✓ 1st time		✓	
Reseat the valves					✓
Replace piston rings					✓
Check battery condition		✓ Every month			

9. GENERAL TROUBLESHOOTING

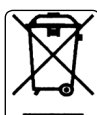
PROBLEM	POSSIBLE CAUSES	REMEDY
Engine will not start	Low oil sensor has shut down engine	Top up oil to correct level
	Engine switch not in the ON position	Turn switch ON
	Pressure build-up in pump	Operate trigger
Engine is overloaded	Nozzle partially blocked	Clean nozzle
	Excessive pressure build-up	Return to dealer to have reflux valve adjusted
Engine running but pump not building maximum pressure or has irregular pressure	Mains water turned off	Turn on mains water
	Unit has been stored in freezing temperatures	Thaw out completely including hose, gun and lance
	Inadequate water supply	Minimum required is 15ltr/min at 20psi
	Water inlet filter clogged	Clean filter
	Kink in water supply hose	Straighten hose
	Lance nozzle worn or damaged	Replace nozzle
	Air in pump	Run unit with gun open and lance removed until air is purged
	Suction or discharge valve clogged or worn out	Clean suction or discharge valves
	Bypass valve not operating effectively	Clean bypass valve
No intake of chemicals	Injection tube not properly attached to unit	Push tube firmly onto siphon nozzle
	Tube cracked or split	Replace tubing
	High pressure nozzle fitted	Fit low pressure nozzle
	Siphon nozzle blocked	Clean nozzle
Trigger will not move	Trigger lock engaged	Release trigger lock
Water in crankcase	High humidity	Change oil more frequently
	Worn seals	Return to Sealey dealer for seal replacement
Noisy operation	Worn bearings	Return to Sealey dealer for bearing replacement
	Air mixed with water	Check inlet line for correct size or restriction
Rough/pulsating operation with pressure drop	Inlet restriction	Check for incorrectly sized plumbing, air leaks, or blockages
	Air mixed with water	Check inlet line for correct size or restriction
High crankcase temperature	Wrong grade of oil	Use recommended oil
	Oil too high/low	Adjust oil level to recommended level.

NOTE: This appliance is not intended for use by persons (including children) with reduced physical, sensory or mental capabilities or lack of experience and knowledge, unless they have been given supervision or instruction concerning the use of the appliance by a person responsible for their safety. Children should be supervised to ensure that they do not play with the appliance.



Environmental Protection.

Recycle unwanted materials instead of disposing of them as waste. All tools, accessories and packaging should be sorted, taken to a recycle centre and disposed of in a manner which is compatible with the environment.



WEEE Regulations.

Dispose of this product at the end of its working life in compliance with the EU Directive on Waste Electrical and Electronic Equipment. When the product is no longer required, it must be disposed of in an environmentally protective way. Contact your local solid waste authority for recycling information.

Parts support is available for this product. To obtain a parts listing and/or diagram, please log on to www.sealey.co.uk, email sales@sealey.co.uk or phone 01284 757500.

NOTE: It is our policy to continually improve products and as such we reserve the right to alter data, specifications and component parts without prior notice.

IMPORTANT: No liability is accepted for incorrect use of this product.

WARRANTY: Guarantee is 12 months from purchase date, proof of which will be required for any claim.

INFORMATION: For a copy of our latest catalogue and promotions call us on 01284 757525 and leave your full name and address, including postcode.



Sole UK Distributor, Sealey Group,
Kempson Way, Suffolk Business Park,
Bury St. Edmunds, Suffolk,
IP32 7AR



01284 757500



www.sealey.co.uk



01284 703534



sales@sealey.co.uk