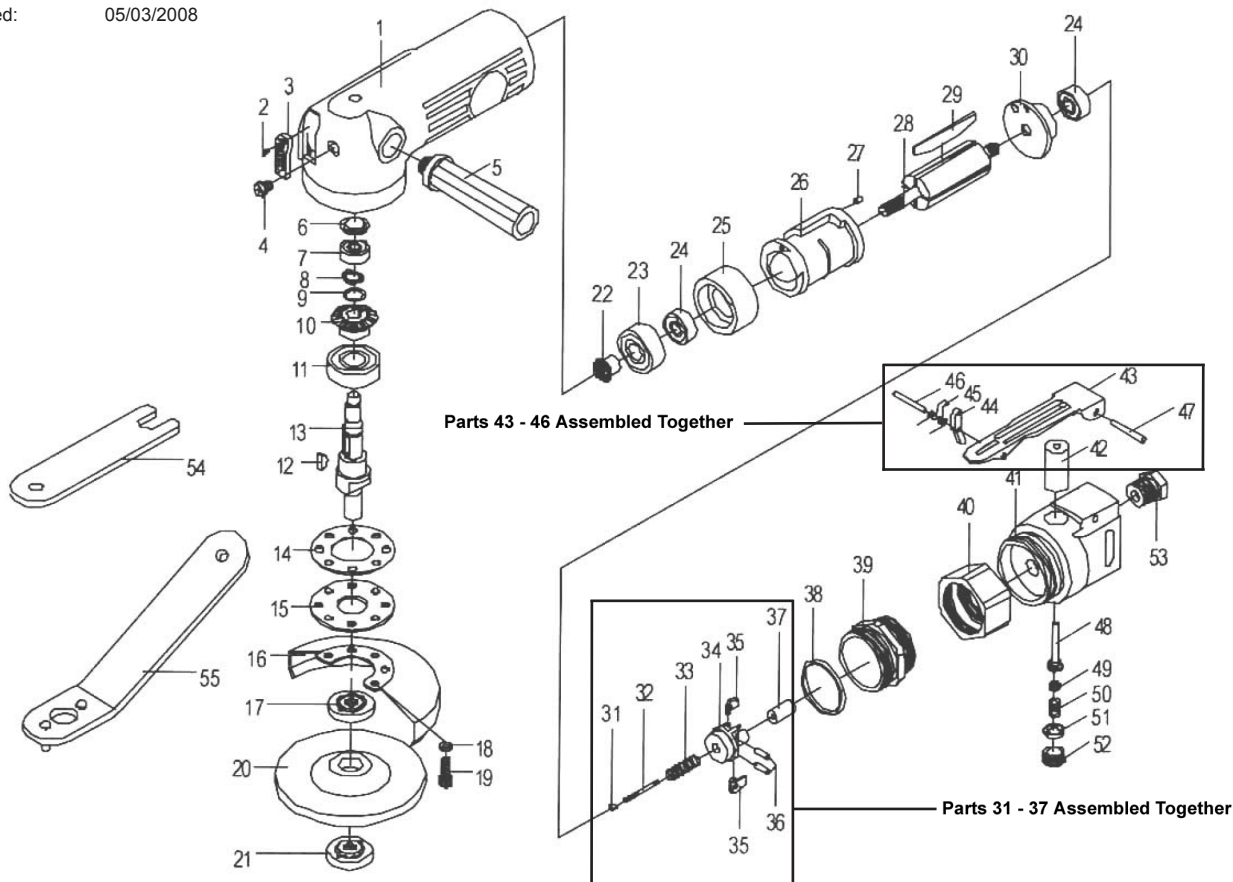


Issue: 2  
 Date Issued: 05/03/2008



ITEM	PART NO	DESCRIPTION
1	SA44.V3-01	HOUSING
2	SA44.V3-02	SCREW
3	SA44.V3-03	MUFFLER COVER
4	SA44.V3-04	SCREW
5	SA44.V3-05	HANDLE
6	SA44.V3-06	WASHER
7	SA44.V3-07	BEARING
8	SA44.V3-08	RETAINING RING
9	SA44.V3-09	WASHER
10	SA44.V3-10	GEAR
11	SA44.V3-11	BEARING
12	SA44.V3-12	KEY
13	SA44.V3-13	SPINDLE SHAFT
14	SA44.V3-14	WASHER
15	SA44.V3-15	RETAINING WASHER
16	SA44.V3-16	DISC COVER
17	SA44.V3-17	FLANGE WASHER
18	SA44.V3-18	WASHER
19	SA44.V3-19	SCREW
20	SA44.V3-20	GRINDING DISC
21	SA44.V3-21	FLANGE NUT,
22	SA44.V3-22	SMALL GEAR
23	SA44.V3-23	BEARING
24	SA44.V3-24	BEARING
25	SA44.V3-25	FRONT PLATE
26	SA44.V3-26	CYLINDER
27	SA44.V3-27	PIN

ITEM	PART NO	DESCRIPTION
28	SA44.V3-28	ROTOR
29	SA44.V3-29	ROTOR BLADE
30	SA44.V3-30	END PLATE
31	SA44.V3-31	ADJUSTABLE NUT
32	SA44.V3-32	ADJUSTABLE SCREW
33	SA44.V3-33	SPRING
34	SA44.V3-34	GOVERNOR
35	SA44.V3-35	PENDULUM
36	SA44.V3-36	PIN
37	SA44.V3-37	PLUNGER
38	SA44.V3-38	O-RING
39	SA44.V3-39	CONNECTING NUT
40	SA44.V3-40	CLAMP NUT
41	SA44.V3-41	BUSH HOUSING
42	SA44.V3-42	VALVE BUSHING
43	SA44.V3-43	TRIGGER
44	SA44.V3-44	LEVER
45	SA44.V3-45	SPRING
46	SA44.V3-46	PIN
47	SA44.V3-47	PIN
48	SA44.V3-48	VALVE STEM
49	SA44.V3-49	O-RING
50	SA44.V3-50	SPRING
51	SA44.V3-51	O-RING
52	SA44.V3-52	VALVE PLUG
53	SA44.V3-53	AIR INLET
54	SA44.V3-54	WRENCH
55	SA44.V3-55	WRENCH