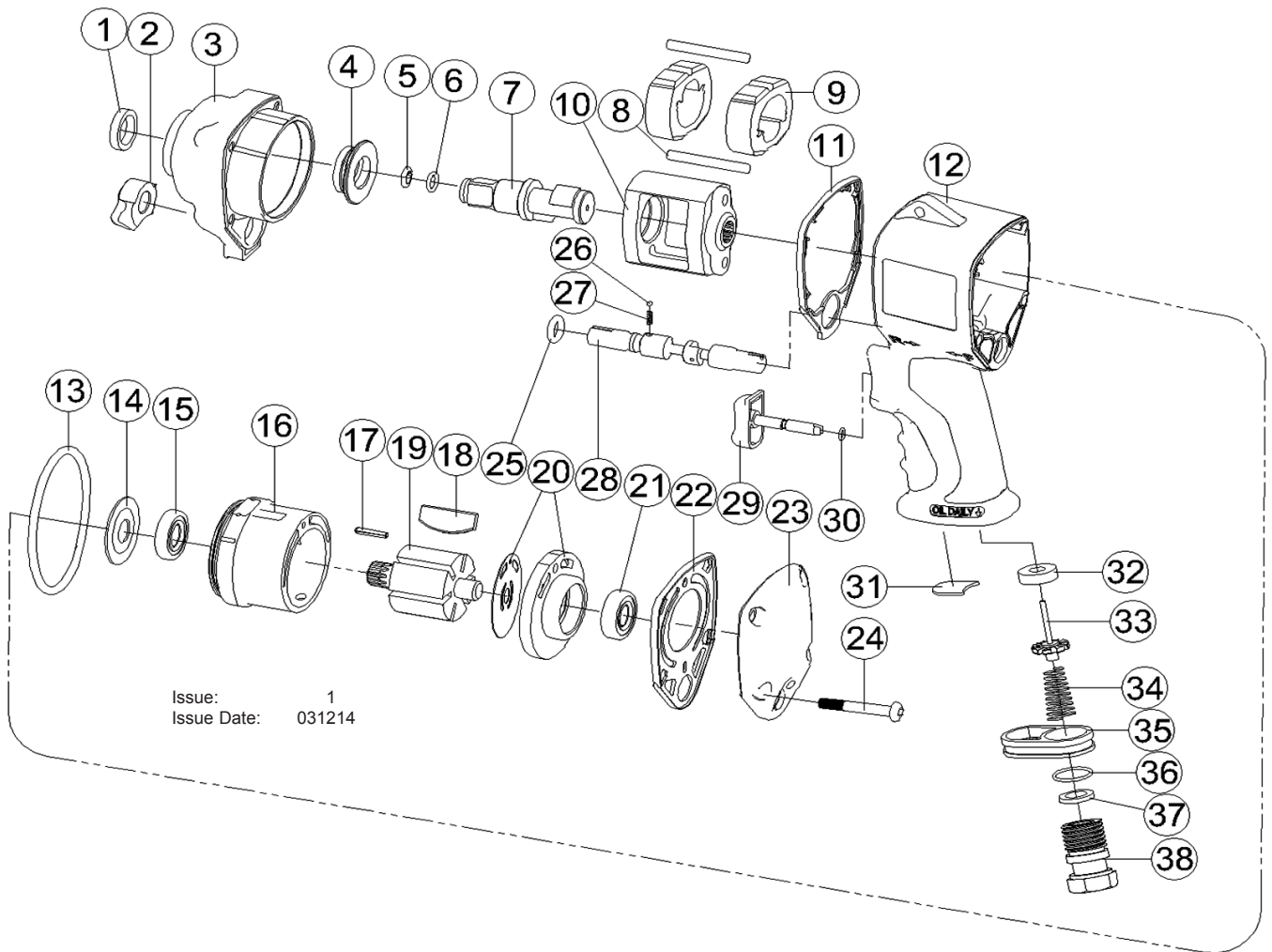




PARTS FOR:
**AIR IMPACT WRENCH 1/2" Sq Dr
 STUBBY TWIN HAMMER**
 MODEL: **SA6002S**



Issue: 1
 Issue Date: 031214

ITEM	PART NO	DESCRIPTION	ITEM	PART NO	DESCRIPTION
1	SA6002S.01	OIL SEAL	20	SA6002S.20	REAR PLATE
2	SA6002S.02	REGULATOR KNOB	21	SA6002S.21	BEARING
3	SA6002S.03	HAMMER CASE	22	SA6002S.22	REAR GASKET
4	SA6002S.04	BUSHING	23	SA6002S.23	REAR COVER
5	SA6002S.05	ANVIL COLLAR	24	SA6002S.24	SCREW
6	SA6002S.06	O-RING	25	SA6002S.25	O-RING
7	SA6002S.07	ANVIL (1/2"Dr)	26	SA6002S.26	STEEL BALL
8	SA6002S.08	HAMMER PIN	27	SA6002S.27	SPRING
9	SA6002S.09	HAMMER DOG	28	SA6002S.28	REVERSE VALVE
10	SA6002S.10	HAMMER CAGE	29	SA6002S.29	TRIGGER
11	SA6002S.11	FRONT GASKET	30	SA6002S.30	O-RING
12	SA6002S.12	MOTOR HOUSING	31	SA6002S.31	MUFFLER
13	SA6002S.13	O-RING	32	SA6002S.32	RETAINER
14	SA6002S.14	WASHER	33	SA6002S.33	VALVE STEM
15	SA6002S.15	BEARING	34	SA6002S.34	SPRING
16	SA6002S.16	CYLINDER	35	SA6002S.35	EXHAUST DEFLECTOR
17	SA6002S.17	SPRING PIN	36	SA6002S.36	O-RING
18	SA6002S.18	ROTOR BLADE	37	SA6002S.37	WASHER
19	SA6002S.19	ROTOR	38	SA6002S.38	HOSE ADAPTOR

NOTE: It is our policy to continually improve products and as such we reserve the right to alter data, specifications and component parts without prior notice.

IMPORTANT: No liability is accepted for incorrect use of product.

WARRANTY: Guarantee is 12 months from purchase date, proof of which will be required for any claim.

INFORMATION: For a copy of our latest catalogue and promotions call us on 01284 757525 and leave your full name and address, including postcode.



Sole UK Distributor,
 Sealey Group, Kempson Way,
 Suffolk Business Park,
 Bury St Edmunds, Suffolk, IP32 7AR



01284 757500



01284 703534



www.sealey.co.uk



sales@sealey.co.uk