

Item	Part No	Description	Item	Part No	Description
1	SA604/01	REVERSE VALVE RETAINER	24	SA604/24	VALVE SPRING
2	SA604/02	O-RING	25	SA604/25	AIR STRAINER
3	SA604/03	REVERSE VALVE	26	SA604/26	TRIGGER
4	SA604/04	SCREW	27	SA604/27	O-RING
5	SA604/05	LOCK WASHER	28	SA604/28	AIR REGULATOR
6	SA604/06	BACK CAP	29	SA604/29	SPRING
7	SA604/07	BACK CAP GASKET	30	SA604/30	STEEL BALL
8	SA604/08	MOTOR CLAMP WASHER	31	SA604/31	HAMMER FRAME
9	SA604/09	BEARING	32	SA604/32	HAMMER
10	SA604/10	END PLATE GASKET	33	SA604/33	HAMMER PIN
11	SA604/11	END PLATE	34	SA604/34A	STANDARD ANVIL
12	SA604/12	PIN		SA604/34B	6" EXTERNAL ANVIL
13	SA604/13	ROTOR BLADE	35	SA604/35	O-RING
14	SA604/14	ROTOR	36	SA604/36	SOCKET RETAINER
15	SA604/15	CYLINDER	37	SA604/37	HAMMER CASE BUSHING
16	SA604/16	LOCK NUT	38	SA604/38	HAMMER CASE
17	SA604/17	MOTOR HOUSING ASSEMBLY	38A	SA604/38A	EXHAUST DEFLECTOR
17A	SA604/17A	HAMMER CASE GASKET	38B	SA604/38B	EXHAUST DEFLECTOR SCREW
18	SA604/18	HAMMER FRAME REAR WASHER	39	SA604/39	HAMMER CASE CAP SCREW
19	SA604/19	TRIGGER PIN	40	SA604/40	OIL SEAL
20B	SA604/20B	THROTTLE VALVE STEM	41	SA604/41	SPRING
21	SA604/21	REGULATOR STOP PIN	42	SA604/42	STEEL BALL
22	SA604/22	O-RING	43	SA604/43	GREASE FITTING
23	SA604/23	THROTTLE VALVE			

**NOTE:** It is our policy to continually improve products and as such we reserve the right to alter data, specifications and component parts without prior notice. **IMPORTANT:** No liability is accepted for incorrect use of this equipment. **WARRANTY:** Guarantee is 12 months from purchase date, proof of which will be required for any claim. **INFORMATION:** For a copy of our latest catalogue and promotions, call us on 01284 757525 and leave your full name and address including your postcode.

**SEALEY POWER TOOLS** Sole UK Distributor, Sealey Group, Bury St. Edmunds, Suffolk.  
 E-mail: [sales@sealey.co.uk](mailto:sales@sealey.co.uk)  
 01284 757500 01284 703534 Web: [www.sealey.co.uk](http://www.sealey.co.uk)

INSTRUCTIONS FOR  
**3/4" AIR IMPACT WRENCH**  
 Models: **SA604**

Thank you for purchasing a Sealey Product. Manufactured to a high standard this product will, if used according to these instructions and properly maintained, give you years of trouble free performance.

**IMPORTANT:** PLEASE READ THESE INSTRUCTIONS CAREFULLY. NOTE THE SAFE OPERATIONAL REQUIREMENTS, WARNINGS AND CAUTIONS. USE THIS PRODUCT CORRECTLY AND WITH CARE FOR THE PURPOSE FOR WHICH IT IS INTENDED. FAILURE TO DO SO MAY CAUSE DAMAGE AND/OR PERSONAL INJURY AND WILL INVALIDATE THE WARRANTY. PLEASE KEEP INSTRUCTIONS SAFE FOR FUTURE USE.

**1. SAFETY INSTRUCTIONS**

- WARNING!** Ensure health & safety, local authority, and general workshop practice regulations are adhered to when using this equipment.
- WARNING!** Disconnect from air supply before changing accessories or servicing.
- ✓ Maintain the wrench in good condition and replace any damaged or worn parts. Use genuine parts only. Unauthorised parts may be dangerous and will invalidate the warranty.
- WARNING!** Check correct air pressure is maintained and not exceeded. We recommend 90psi.
- ✓ Keep air hose away from heat, oil and sharp edges. Check air hose for wear before each use and ensure that all connections are secure.
- ✓ Wear approved safety eye/face shield, ear defenders, and hand protection.
- WARNING!** Due to the possible presence of asbestos dust from brake linings, when working around vehicle brake systems we recommend you wear suitable respiratory protection
- ✓ Only use impact sockets which are specifically designed for use with an impact wrench.
- ✓ Maintain correct balance and footing. Ensure the floor is not slippery and wear non-slip shoes.
- ✓ Keep children and non essential persons away from the working area.
- ✗ DO NOT use the wrench for a task it is not designed to perform.
- WARNING! DO NOT** use wrench if damaged or thought to be faulty. (Contact Service Agent).
- ✗ DO NOT use wrench unless you have been instructed in its use by a qualified person.
- ✗ DO NOT carry the wrench by the air hose, or yank the hose from the air supply.
- ✗ DO NOT operate wrench if you are tired, under the influence of alcohol, drugs or intoxicating medication.
- ✗ DO NOT carry wrench with your hand on the power trigger in order to avoid unintentional starting.
- ✗ DO NOT direct air from the air hose at yourself or others.
- ✓ When not in use disconnect from air supply and store in a safe, dry, childproof location.

**2. INTRODUCTION & SPECIFICATIONS**

Twin hammer mechanism utilises oversized hammers and specially strengthened hammer cage to pull even more torque out of the precision air motor. Precision made components fit closely to reduce air leakage and maximise power. Flip reverse control on the rear of the tool with 4-position air regulator on the handle base. Suitable for heavy tyre shop use.

Drive size . . . . . 3/4"	Operating pressure . . . . . 90psi
Working/Max torque . . . 950/1150ft/lb	Air inlet size . . . . . 1/4" BSP
Ultimate torque . . . . . 1200 ft/lb	Weight . . . . . 4.6kg
Air consumption . . . . . 5.6cfm	

### 3. PREPARING WRENCH FOR USE

#### 3.1. Air Supply

- 3.1.1. Ensure wrench air valve (or trigger) is in the "off" position before connecting to the air supply.
- 3.1.2. You will require an air pressure of 90psi, and an air flow according to specification.
- 3.1.3.  **WARNING!** Ensure the air supply is clean and does not exceed 90 psi while operating the wrench. Too high an air pressure and unclean air will shorten the product life due to excessive wear, and may be dangerous causing damage and/or personal injury.
- 3.1.4. Drain the air tank daily. Water in the air line will damage the wrench.
- 3.1.5. Clean air inlet filter weekly. Recommended hook-up procedure is shown in fig 1.
- 3.1.6. Line pressure should be increased to compensate for unusually long air hoses (over 8 metres). The minimum hose diameter should be 1/4" I.D. and fittings must have the same inside dimensions.
- 3.1.7. Keep hose away from heat, oil and sharp edges. Check hose for wear, and make certain that all connections are secure.

#### 3.2. Couplings.

Vibration may cause failure if a quick change coupling is connected directly to the wrench. To overcome this, connect a leader hose to the wrench. A quick change coupling may then be used to connect the leader hose to the air line recoil hose. See fig 1 & 2.

fig 1

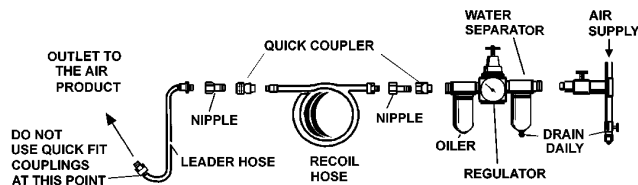
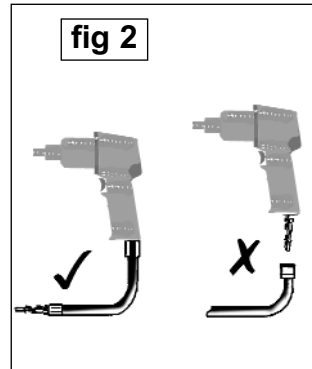


fig 2



### 4. OPERATING INSTRUCTIONS

- WARNING!** Ensure you read, understand and apply safety instructions before use.

- 4.1. Only use impact sockets which are specifically designed for use with a impact wrench.
- 4.2. Connect the wrench to the air hose as in chapter 3.
- 4.3. Place the socket over the subject nut and depress the trigger to operate the wrench.
- 4.4. To change direction turn the lever on the back body housing.
- 4.5. The flow of air may be regulated by turning the knob at the base of the handle.

DO NOT use any additional force upon the wrench in order to remove a nut.  
DO NOT allow wrench to free run for an extended period of time as this will shorten its life.

### 5. MAINTENANCE

- WARNING!** Disconnect wrench from air supply before changing accessories, servicing or performing maintenance. Replace or repair damaged parts. *Use genuine parts only. Unauthorised parts may be dangerous and will invalidate the warranty.*
- 5.1. Lubricate the air wrench daily with a few drops of Sealey air tool oil dripped into the air inlet to prolong its life.
  - 5.2. Clean the wrench after use. DO NOT use worn, or damaged sockets.
  - 5.3. Loss of power or erratic action may be due to the following:
    - a) Excessive drain on the air line. Moisture or restriction in the air pipe. Incorrect size or type of hose connectors. To remedy check the air supply and follow instructions in chapter 3.
    - b) Grit or gum deposits in the wrench may also reduce performance. If your model has an air strainer (located in the area of the air inlet), remove the strainer and clean it. Flush the wrench out with gum solvent oil or an equal mixture of SAE No 10 oil and paraffin. Allow to dry before use.
  - 5.4. For a full service contact your local Sealey service agent.
  - 5.5. When not in use, disconnect from air supply, clean wrench and store in a safe, dry, childproof location.

### Declaration of Conformity



We, the sole importer into the UK, declare that the product listed here is in conformity with the following EEC standards and directives. The construction file for this product is held by the Manufacturer and may be inspected, by a national authority, upon request to Jack Sealey Ltd.

**Air Impact Wrench  
Model: SA604**

98/37/EC Machinery Directive  
93/68/EEC Marking Directive

Signed by Mark Sweetman

1st July 2000

For Jack Sealey Ltd. Sole importer into the UK  
of Sealey Power Tools.