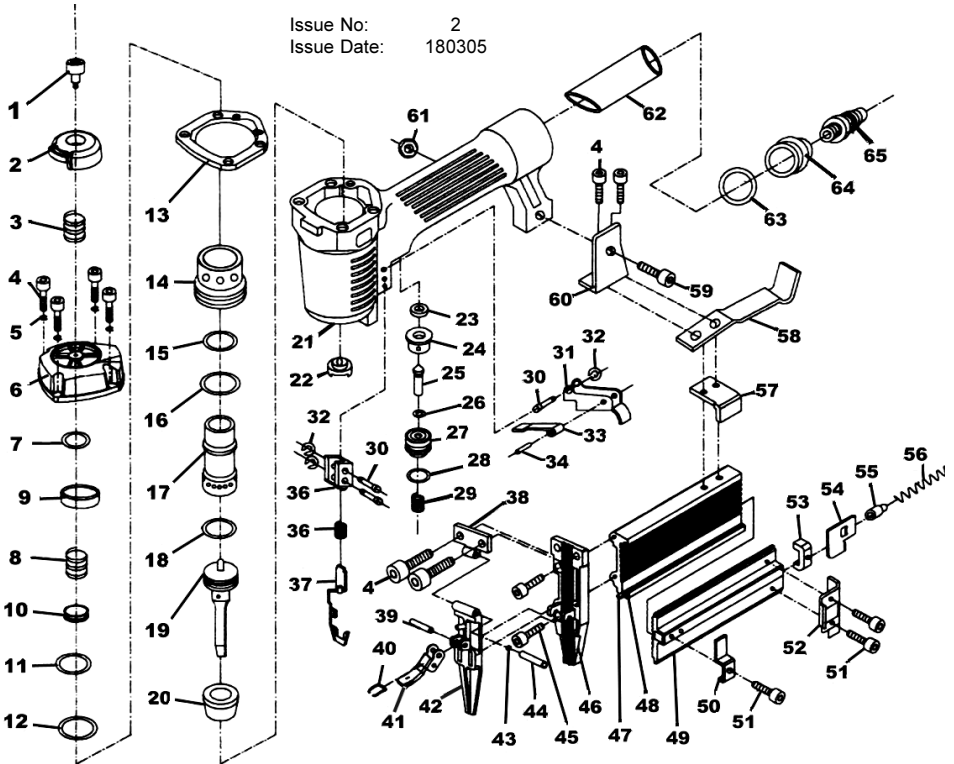


Issue No: 2
 Issue Date: 180305



| ITEM | PART NO. | DESCRIPTION |
|------|----------|--------------------|
| 1 | SA791.01 | Bolt |
| 2 | SA791.02 | Air director |
| 3 | SA791.03 | Spring |
| 4 | SA791.04 | Bolt M5 x 20 |
| 5 | SA791.05 | Spring washer |
| 6 | SA791.06 | Cylinder cap |
| 7 | SA791.07 | Seal washer |
| 8 | SA791.08 | Compressed spring |
| 9 | SA791.09 | O-ring 13.7 x 2.4 |
| 10 | SA791.10 | Piston stop |
| 11 | SA791.11 | O-ring 31.2 x 2.5 |
| 12 | SA791.12 | O-ring 42.6 x 2.35 |
| 13 | SA791.13 | Sealing washer |
| 14 | SA791.14 | Collar |
| 15 | SA791.15 | O-ring 30 x 1.8 |
| 16 | SA791.16 | O-ring 42.6 x 2.35 |
| 17 | SA791.17 | Cylinder |
| 18 | SA791.18 | O-ring 21 x 3 |
| 19 | SA791.19 | Piston unit |
| 20 | SA791.20 | Bumper |
| 21 | SA791.21 | Gun body |
| 22 | SA791.22 | Grommet |

| ITEM | PART NO. | DESCRIPTION |
|------|----------|--------------------|
| 23 | SA791.23 | Rectangle sealing |
| 24 | SA791.24 | Head valve piston |
| 25 | SA791.25 | Trigger valve stem |
| 26 | SA791.26 | O-ring 1.7 x 2 |
| 27 | SA791.27 | Pivot valve |
| 28 | SA791.28 | O-ring 11.2 x 2 |
| 29 | SA791.29 | Compressed spring |
| 30 | SA791.30 | Pin |
| 31 | SA791.31 | Trigger |
| 32 | SA791.32 | Retainer snap |
| 33 | SA791.33 | Safety spacer |
| 34 | SA791.34 | Pin 2.5 x 16 |
| 35 | SA791.35 | Safety guide |
| 36 | SA791.36 | Spring |
| 37 | SA791.37 | Safety catch |
| 38 | SA791.38 | Spacer |
| 39 | SA791.39 | Pin |
| 40 | SA791.40 | Release button |
| 41 | SA791.41 | Release handle |
| 42 | SA791.42 | Cover plate |
| 43 | SA791.43 | Retainer snap |
| 44 | SA791.44 | Pin 2.5 x 16 |

| ITEM | PART NO. | DESCRIPTION |
|------|----------|---------------------------------|
| 45 | SA791.45 | Bolt M4 x 12 |
| 46 | SA791.46 | Driver guide |
| 47 | SA791.47 | Slice |
| 48 | SA791.48 | Fixed magazine |
| 49 | SA791.49 | Movable magazine |
| 50 | SA791.50 | Direction seat |
| 51 | SA791.51 | Bolt M4 x 6 |
| 52 | SA791.52 | Support seat |
| 53 | SA791.53 | Direction seat |
| 54 | SA791.54 | Stopper |
| 55 | SA791.55 | Stopper pipe |
| 56 | SA791.56 | Compress spring |
| 57 | SA791.57 | Direction plate |
| 58 | SA791.58 | Release latch |
| 59 | SA791.59 | Bolt M4 x 10 |
| 60 | SA791.60 | Fixed seat |
| 61 | SA791.61 | Nut M4 |
| 62 | SA791.62 | Handle rubber case |
| 63 | SA791.63 | O-ring 36.3 x 3.55 |
| 64 | SA791.64 | End cap |
| 65 | SA791.65 | Air inlet 1/4" BSP male to male |