

Issue: 1
 Issue Date: 170511

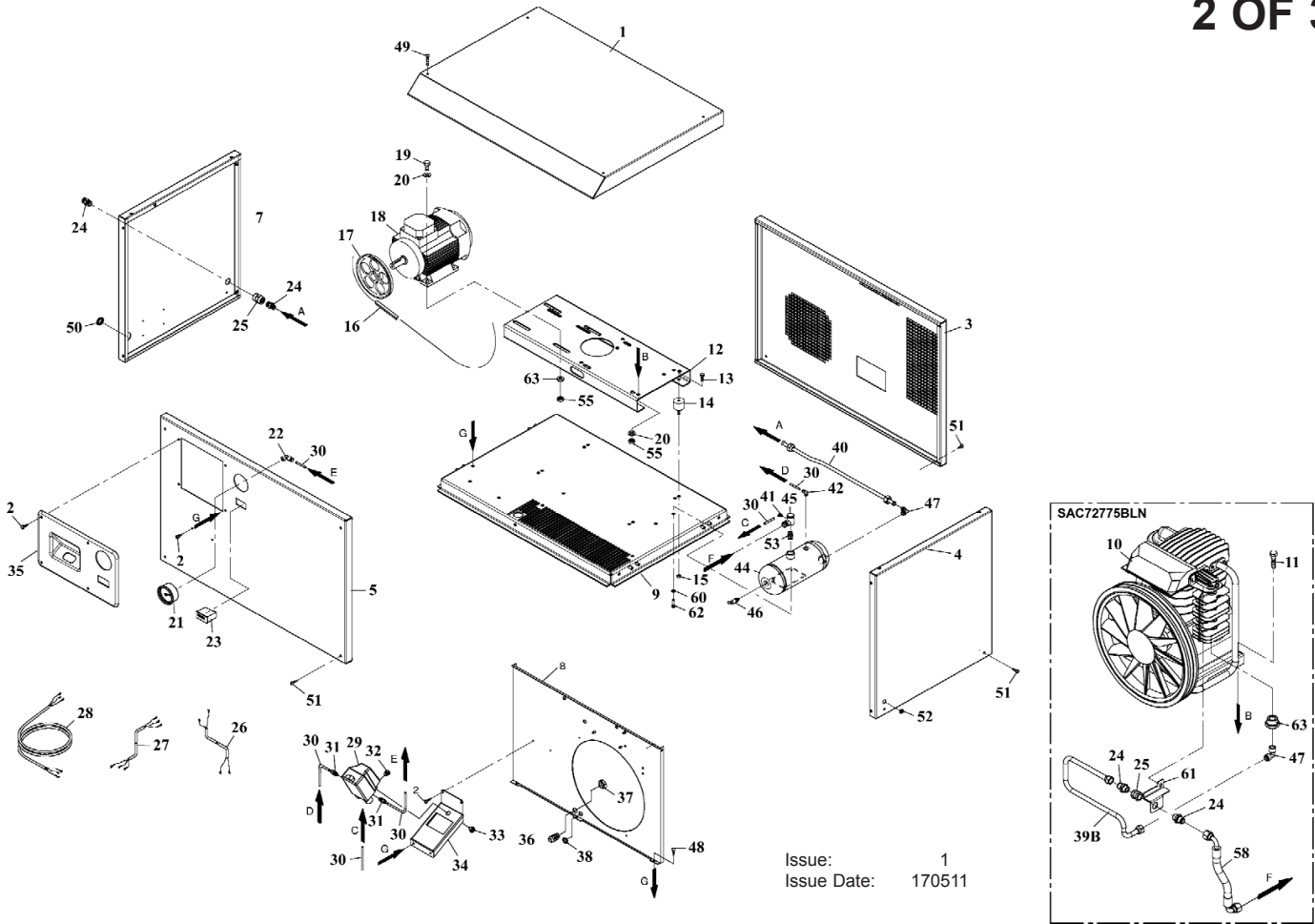
ITEM	PART NO	DESCRIPTION
100A	SAC7471780000	TANK 270ltr
101	SAC7192090000	SAFETY VALVE
102	SAC7090030000	PLUG 1/2
103	SAC7130150000	TAP
104	SAC7090020000	PLUG, TANK
105	SAC7011210000	SCREW (M6x25)
106	SAC7080970000	ELBOW
107	SAC7082050000	JOINT 3-WAY
108	SAC7130170000	TAP
109	SAC7030020000	WASHER
110	SAC7031030000	WASHER
111	SAC7090090000	PLUG 1/4"
112	SAC7239220000	DELIVERY PIPE
113	SAC7360400000	RUBBER FOOT
114	SAC7080160000	ELBOW
115	SAC7082820000	ELBOW
116	SAC7230020000	RILSAN HOSE

NOTE: It is our policy to continually improve products and as such we reserve the right to alter data, specifications and component parts without prior notice.

IMPORTANT: No liability is accepted for incorrect use of product.

WARRANTY: Guarantee is 12 months from purchase date, proof of which will be required for any claim.

INFORMATION: For a copy of our latest catalogue and promotions call us on 01284 757525 and leave your full name and address, including postcode.



Issue: 1
 Issue Date: 170511

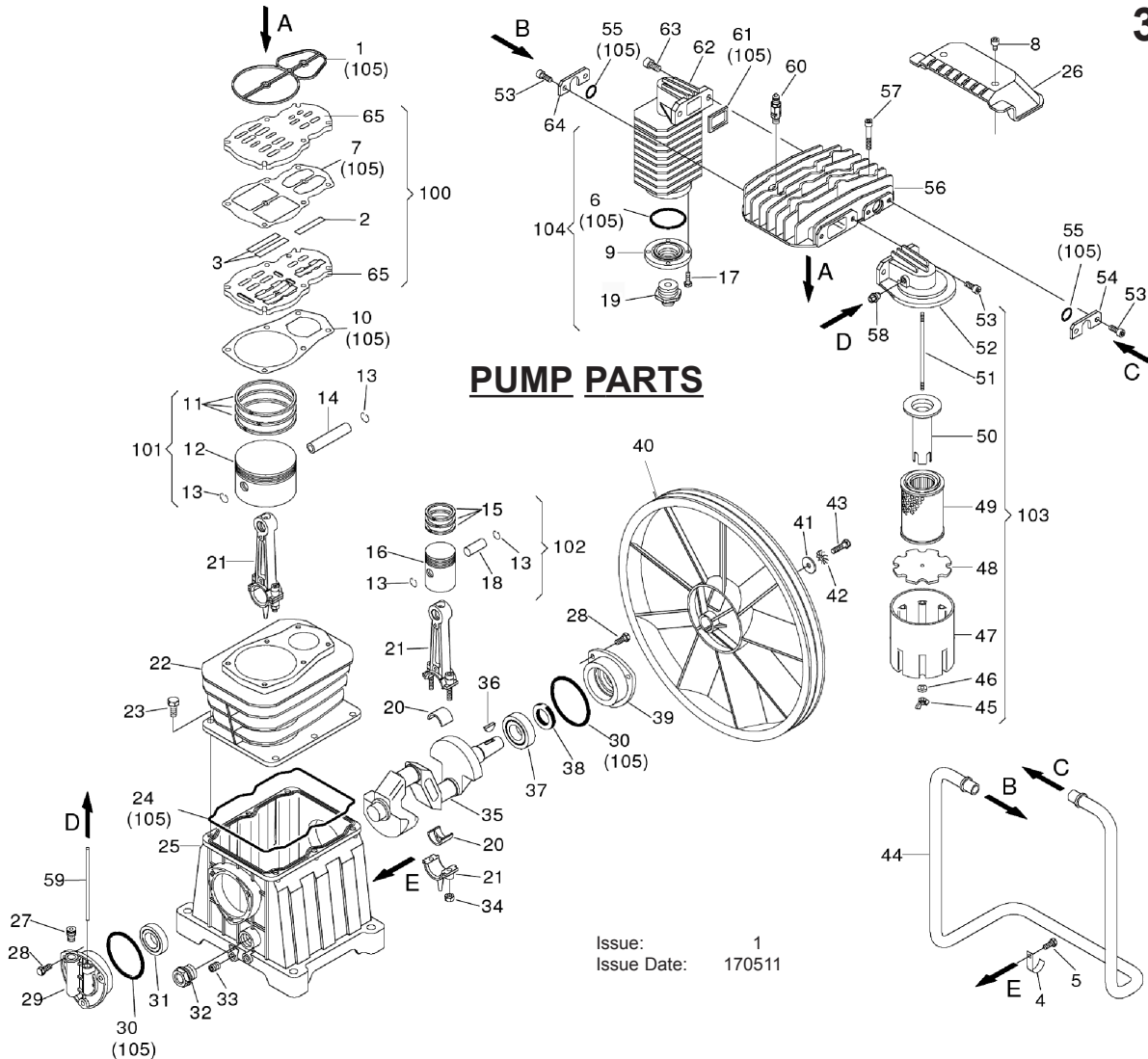
ITEM	PART NO	DESCRIPTION	ITEM	PART NO	DESCRIPTION	ITEM	PART NO	DESCRIPTION
1	SAC5167290008	UPPER PANEL	22	SAC7080890000	ELBOW	42	SAC6006380614	ELBOW
2	SAC7014420000	BOLT (M5x20)	23	SAC7566190000	TIMER	44	SAC5156280008	TANK
3	SAC5168940008	REAR PANEL	24	SAC7081311150	JOINT	45	SAC7190150000	NON-RETURN VALVE
4	SAC5168900008	SIDE PANEL	25	SAC7085700000	CONNECTOR	46	SAC7192010000	SAFETY VALVE
5	SAC5168910008	FRONT PANEL	26	SAC7326650000	PRESSURE SWITCH CABLE	47	SAC7080160000	ELBOW
7	SAC5167300008	SIDE PANEL	27	SAC7328690000	POWER CABLE	48	SAC7012240000	SCREW (M5x15)
8	SAC5167350008	MIDDLE PANEL	28	SAC7328700000	PRESSURE SWITCH CABLE	49	SAC7010500000	SCREW (M5x80)
9	SAC5167360008	BASE	29	SAC7251220000	PRESSURE SWITCH	50	SAC7500060000	GLAND
10	SAC3020980000	PUMP UNIT	30	SAC7230010000	HOSE	51	SAC7014450000	SCREW (M5x50)
11	SAC7011120000	SCREW (M10x45)	31	SAC7084220000	FITTING	52	SAC7091160000	PLASTIC PLUG
12	SAC5167370008	MOTOR/PUMP UNIT	32	SAC7016070000	SWITCH PLUG	53	SAC7081010000	JOINT
		BASE	33	SAC7090080000	PLUG 3/8	55	SAC7020080000	NUT (M10)
13	SAC7011360000	SCREW (M8x10)	34	SAC5168930008	PRESSURE SWITCH SUPPORT	58	SAC7236710000	RUBBER HOSE
14	SAC7364420000	SHOCK ABSORBER			FRONT PANEL COVER	60	SAC7030020000	WASHER
15	SAC7020070000	NUT M8	35	SAC7155770000	ADJUSTMENT	61	SAC5160041158	DELIVERY PIPE SUPPORT
16	SAC7370490000	BELT	36	SAC7500440000	LOCK NUT (M20x1.5)	62	SAC7011210000	SCREW (M6x25)
17	SAC7408100000	MOTOR PULLEY	37	SAC7500440010	GLAND	63	SAC7030060000	WASHER
18	SAC7380120000	MOTOR	38	SAC7500070000	DELIVERY PIPE			
19	SAC7011170000	BOLT (M10x35)	39B	SAC7236730000	DELIVERY PIPE			
20	SAC7030040000	WASHER	40	SAC7234530000	JOINT			
21	SAC7111030000	PRESSURE GAUGE	41	SAC7080780000				

NOTE: It is our policy to continually improve products and as such we reserve the right to alter data, specifications and component parts without prior notice.

IMPORTANT: No liability is accepted for incorrect use of product.

WARRANTY: Guarantee is 12 months from purchase date, proof of which will be required for any claim.

INFORMATION: For a copy of our latest catalogue and promotions call us on 01284 757525 and leave your full name and address, including postcode.



PUMP PARTS

Issue: 1
 Issue Date: 170511

ITEM	PART NO	DESCRIPTION	ITEM	PART NO	DESCRIPTION	ITEM	PART NO	DESCRIPTION
1	SAC7079610000	HEAD GASKET	25	SAC5070270008	CRANKCASE	49	SAC7210260000	FILTER CARTRIDGE
2	SAC7199130000	VALVE REED	26	SAC7153050000	COVER	50	SAC7210290000	SLEEVE
3	SAC7199140000	VALVE REED	27	SAC7091120000	BREATHER PLUG	51	SAC7015160000	TENSION ROD
4	SAC7458910000	CLAMP	28	SAC7011090000	SCREW (M8x20)	52	SAC5130070008	FILTER COVER
5	SAC7011460000	SCREW	29	SAC5082090008	FRONT COVER	53	SAC7010050000	SCREW (M8x20)
6	SAC7070140000	O-RING	30	SAC7070290000	O-RING	54	SAC7458460000	STOP PLATE
7	SAC7079600000	VALVE PLATE GASKET	31	SAC7060160000	BEARING 6006	55	SAC7070260000	O-RING
8	SAC7012090000	BOLT (M5x12)	32	SAC7180060000	OIL LEVEL SIGHT GLASS	56	SAC5030590008	HEAD
9	SAC5131020008	REDUCER	33	SAC7090090000	PLUG 1/4"	57	SAC7010060000	HEAD BOLT
10	SAC7079710000	CYLINDER GASKET	34	SAC7022040000	LOCK NUT	58	SAC7084600000	FITTING
11	SAC4080220000	PISTON RING SET (LOW)	35	SAC5041260008	CRANKSHAFT	59	SAC7230020000	RILSAN HOSE
12	SAC7220250000	PISTON (LOW)	36	SAC7051520000	KEY	60	SAC7192350000	SAFETY VALVE
13	SAC7040140000	SEEGER RING	37	SAC7060150000	BEARING 6206	61	SAC7079250000	GASKET
14	SAC7050200000	PISTON PIN	38	SAC7071130000	OIL SEAL	62	SAC5130090008	AFTERCOOLER
15	SAC4080030000	PISTON RING SET	39	SAC5082050008	REAR COVER	63	SAC7010220000	SCREW (M10x25)
16	SAC7220240000	PISTON (HIGH)	40	SAC7201240000	FLYWHEEL	64	SAC7458420000	STOP PLATE
17	SAC7011040000	SCREW (M6x20)	41	SAC7030270000	WASHER	65	SAC7459120000	VALVE PLATE
18	SAC7050190000	PISTON PIN	42	SAC7031010000	TOOTHED WASHER	100	SAC7459550000	VALVE PLATE GROUP
19	SAC7085110000	JOINT	43	SAC7011100000	BOLT (M8x25)	101	SAC4291160000	PISTON GROUP (LOW)
20	SAC7060530000	BUSHING	44	SAC7230750000	DELIVERY TUBE	102	SAC4291170000	PISTON GROUP (HIGH)
21	SAC4190390008	CON-ROD KIT	45	SAC7024150000	NUT M6	103	SAC4250100000	FILTER GROUP
22	SAC5060760008	CYLINDER	46	SAC7031030000	WASHER	104	SAC4251150000	AFTERCOOLER GROUP
23	SAC7011160000	BOLT (M10x30)	47	SAC7210270000	FILTER CASING	105	SAC4082600000	GASKET SET
24	SAC7079410000	CRANKCASE SEAL	48	SAC7210280000	FILTER ELEMENT			

NOTE: It is our policy to continually improve products and as such we reserve the right to alter data, specifications and component parts without prior notice.

IMPORTANT: No liability is accepted for incorrect use of product.

WARRANTY: Guarantee is 12 months from purchase date, proof of which will be required for any claim.

INFORMATION: For a copy of our latest catalogue and promotions call us on 01284 757525 and leave your full name and address, including postcode.