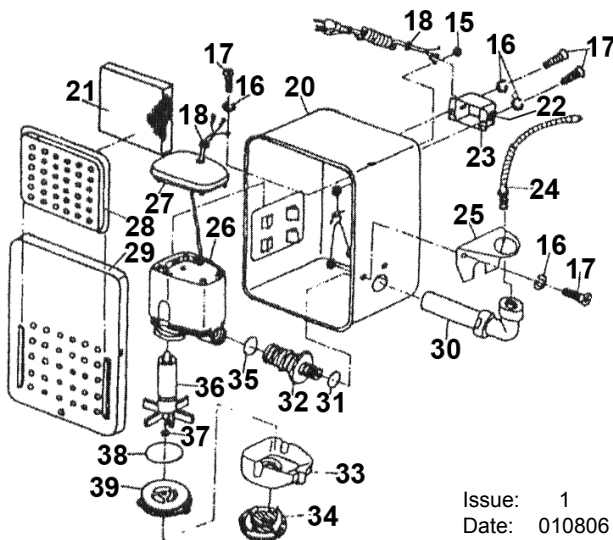


Item	Part No.	Description
1	SM40.V2-01	COVER, LID
2	SM40.V2-02	BASKET
3	SM40.V2-03	SPRING PIN
4	SM40.V2-04	PIN
5	SM40.V2-05	SAFETY PLATE
6	SM40.V2-06	WORK SHELF
7	SM40.V2-07	BODY, MAIN CABINET
8	SM40.V2-08	SPRING WASHER
9	SM40.V2-09	NUT
10	SM40.V2-10	O-RING
11	SM40.V2-11	OIL PLUG
12	SM40.V2-12	SHELF
13	SM40.V2-13	LEG
14	SM40.V2-14	SCREW
15	SM40.V2-15	NUT
16	SM40.V2-16	SPRING WASHER
17	SM40.V2-17	SCREW
18	SM40.V2-18	STRAIN RELIEF
20	SM40.V2-20	PUMP HOUSING
21	SM40.V2-21	SCREEN
22	SM40.V2-22	SWITCH
23	SM40.V2-23	SWITCH BOX
24	SM40.V2-24	FLEXIBLE PIPE
25	SM40.V2-25	ELBOW SEAT
26	SM40.V2-26	PUMP BODY
27	SM40.V2-27	PUMP BACK COVER
28	SM40.V2-28	FILTER COVER
29	SM40.V2-29	PUMP HOUSING COVER
30	SM40.V2-30	ELBOW
31	SM40.V2-31	PLASTIC WASHER
32	SM40.V2-32	SPIGOT
33	SM40.V2-33	IMPELLER HOUSING
34	SM40.V2-34	FILTER
35	SM40.V2-35	SEAL RING
36	SM40.V2-36	IMPELLER
37	SM40.V2-37	WASHER
38	SM40.V2-38	SEAL RING
39	SM40.V2-39	IMPELLER HOLDER



Issue: 1
Date: 010806

