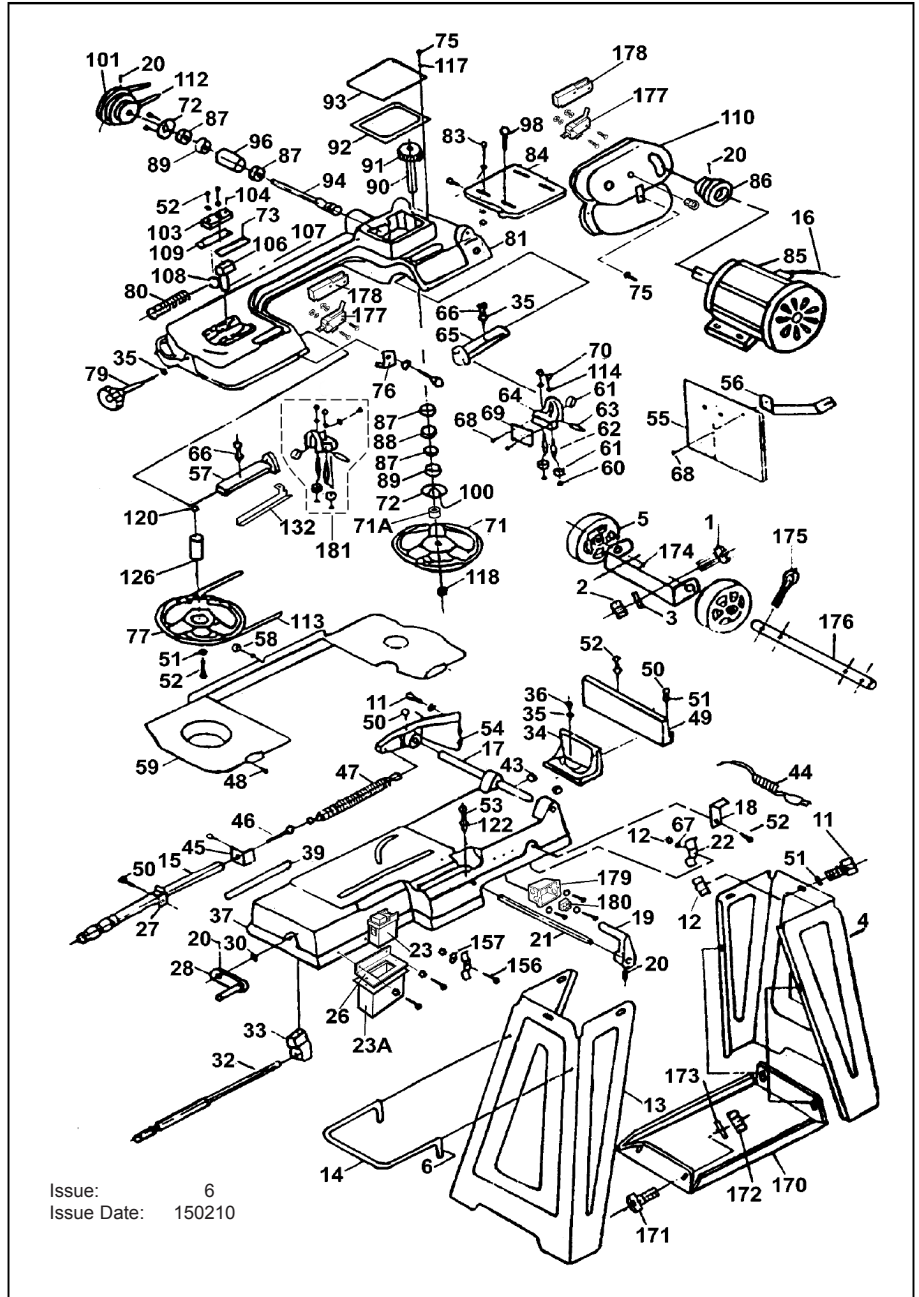


PARTS LIST & DIAGRAM FOR: METAL CUTTING BANDSAW

Model: **SM5.V3**

| ITEM | PART NO | DESCRIPTION |
|------|------------|------------------------------|
| 1 | SM5.V3/01 | Hex. Head Screw |
| 2 | SM5.V3/02 | Hex. Nut |
| 3 | SM5.V3/03 | Washer |
| 4 | SM5.V3/04 | Floor Stand, Right |
| 5 | SM5.V3/05 | Wheel Assy |
| 6 | SM5.V3/06 | Cotter Pin |
| 11 | SM5.V3/11 | Hex. Head Screw |
| 12 | SM5.V3/12 | Hex. Nut |
| 13 | SM5.V3/13 | Floor Stand, Left |
| 14 | SM5.V3/14 | Floor Stand Handle |
| 15 | SM5.V3/15 | Adjusting Rod |
| 16 | SM5.V3/16 | Electric Cord |
| 17 | SM5.V3/17 | Pivot Rod |
| 18 | SM5.V3/18 | Support Plate |
| 19 | SM5.V3/19 | Stock Stop |
| 20 | SM5.V3/20 | Hex Sock Headless Screw |
| 21 | SM5.V3/21 | Stock Stop Rod |
| 22 | SM5.V3/22 | Wire Relief Retainer |
| 23 | SM5.V3/23 | Switch |
| 23A | SM5.V3-23A | Housing for switch |
| 26 | SM5.V3/26 | Switch Panel |
| 27 | SM5.V3/27 | Adjusting Rod Support |
| 28 | SM5.V3/28 | Hand Wheel |
| 30 | SM5.V3/30 | Thrust Washer |
| 32 | SM5.V3/32 | Lead Screw |
| 33 | SM5.V3/33 | Vice Nut |
| 34 | SM5.V3/34 | Moveable Vice Plate |
| 35 | SM5.V3/35 | Washer |
| 36 | SM5.V3/36 | Hex. Head Screw |
| 37 | SM5.V3/37 | Bed |
| 39 | SM5.V3/39 | Scale |
| 43 | SM5.V3/43 | Rubber Ring |
| 44 | SM5.V3/44 | Electric Cord |
| 45 | SM5.V3/45 | Nut Plate |
| 46 | SM5.V3/46 | Spring Adjusting Screw |
| 47 | SM5.V3/47 | Spring |
| 48 | SM5.V3/48 | Screw |
| 49 | SM5.V3/49 | Mitreing Vice Plate |
| 50 | SM5.V3/50 | Hex. Head Screw |
| 51 | SM5.V3/51 | Washer |
| 52 | SM5.V3/52 | Hex. Head Screw |
| 53 | SM5.V3/53 | Hex. Head Screw |
| 54 | SM5.V3/54 | Pivot Rod Bracket |
| 55 | SM5.V3/55 | Vertical Cutting Plate |
| 56 | SM5.V3/56 | Vertical Cutting Plate Stand |
| 57 | SM5.V3/57 | Adjustable Bracket, Left |
| 58 | SM5.V3/58 | Thumb Screw |
| 59 | SM5.V3/59 | Blade Back Safety Panel |
| 60 | SM5.V3/60 | Thrust Washer |
| 61 | B/629ZZ | Bearing |
| 62 | SM5.V3/62 | Guide Pivot |
| 63 | SM5.V3/63 | Bearing Shaft Pin |
| 64 | SM5.V3/64 | Blade Adjustable Seating |
| 65 | SM5.V3/65 | Adjustable Bracket, Right |
| 66 | SM5.V3/66 | Blade Bearing Guide Lock |
| 67 | SM5.V3/67 | Spring Washer |
| 68 | SM5.V3/68 | Screw |
| 69 | SM5.V3/69 | Blade guard |
| 70 | SM5.V3/70 | Hex. Nut |
| 71 | SM5.V3/71 | Blade Wheel (front) |
| 71A | SM5.V3-71A | Bush |
| 72 | SM5.V3/72 | Bearing Cover |
| 73 | SM5.V3/73 | Key |
| 75 | SM5.V3/75 | Hexagon Nut |
| 76 | SM5.V3/76 | Switch Cut-Off Tip |
| 77 | SM5.V3/77 | Blade Wheel (rear) |
| 79 | SM5.V3/79 | Blade Tension Knob |
| 80 | SM5.V3/80 | Spring |
| 81 | SM5.V3/81 | Body Frame |
| 83 | SM5.V3/83 | Hex Head Screw |
| 84 | SM5.V3/84 | Motor Mount Plate |
| 85 | SM5.V3/85 | Motor |
| -- | SM5.V3/FC | Motor Cover (N/S) |
| 86 | SM5.V3/86 | Motor Pulley |
| 87 | B/6202Z | Bearing |
| 88 | SM5.V3/88 | Bush |
| 89 | SM5.V3/89 | Oil Seal |
| 90 | SM5.V3/90 | Transmission Wheel Shaft |
| 91 | SM5.V3/91 | Transmission Gear |
| 92 | SM5.V3/92 | Gasket, Gearbox |
| 93 | SM5.V3/93 | Cover, Gearbox |
| 94 | SM5.V3/94 | Worm Gear |
| 96 | SM5.V3/96 | Bush |
| 98 | SM5.V3/98 | Thumb Screw |
| 99 | SM5.V3/99 | Washer |
| 100 | SM5.V3/100 | Screw |
| 101 | SM5.V3/101 | Worm Gear Pulley |
| 103 | SM5.V3/103 | Blade Tension Sliding Plate |
| 104 | SM5.V3/104 | Hex Sock Headless Screw |



Issue: 6
Issue Date: 150210

| ITEM | PART NO | DESCRIPTION | ITEM | PART NO | DESCRIPTION |
|------|------------|--------------------------------|------|------------|------------------------|
| 105 | SM5.V3/105 | Spring Pin | 170 | SM5.V3/170 | Tool plate |
| 106 | SM5.V3/106 | Sliding Plate Draw Block | 171 | SM5.V3/171 | Hex Head Screw |
| 107 | SM5.V3/107 | Blade Wheel Shaft | 172 | SM5.V3/172 | Hexagon Nut |
| 108 | SM5.V3/108 | Shaft Hook | 173 | SM5.V3/173 | Washer |
| 109 | SM5.V3/109 | Blade Tension Guides | 174 | SM5.V3/174 | Wheel Stand |
| 110 | SM5.V3/110 | Motor Pulley Cover | 175 | SM5.V3/175 | Cotter Pin |
| 112 | SM5.V3/112 | Belt | 176 | SM5.V3/176 | Axle |
| 113 | SM5.V3/113 | Blade | 177 | SM5.V3/177 | Micro Switch |
| 114 | SM5.V3/114 | Washer | 178 | SM5.V3-178 | Cover for Micro Switch |
| 117 | SM5.V3/117 | Washer | 179 | SM5.V3-179 | Terminal box |
| 118 | SM5.V3/118 | Thrust Washer | 180 | SM5.V3-180 | Terminal |
| 120 | SM5.V3/120 | Bearing | 181 | SM5.V3/181 | Adjustable Blade Assy |
| 122 | SM5.V3/122 | Hexagon Nut | 182 | SM5.V3/182 | Angle Bracket (N/S) |
| 126 | SM5.V3/126 | Bushing | | | |
| 131 | SM5.V3/131 | Switch Protection Bracket (NS) | | | |
| 132 | SM5.V3/132 | Blade Safe Guard | | | |
| 134 | SM5.V3/134 | Screw | | | |
| 140 | SM5.V3/140 | Hex Nut | | | |
| 156 | SM5.V3/156 | Round Head Socket Screw | | | |
| 157 | SM5.V3/157 | Star Washer | | | |
| 169 | SM5.V3/169 | Screw | | | |

Blades available from your Sealey supplier:
 SM5/113/6 64½ x ½ x 0.025. 6tpi
 SM5/113/10 64½ x ½ x 0.025. 10tpi
 SM5/113/14 64½ x ½ x 0.025. 14tpi
 SM5/113/24 64½ x ½ x 0.025. 24tpi

Note: (N/S) = Not Shown On Diagram

NOTE: It is our policy to continually improve products and as such we reserve the right to alter data, specifications and component parts without prior notice.

IMPORTANT: No liability is accepted for incorrect use of product.

WARRANTY: Guarantee is 12 months from purchase date, proof of which will be required for any claim.

INFORMATION: For a copy of our latest catalogue and promotions call us on 01284 757525 and leave your full name and address, including postcode.