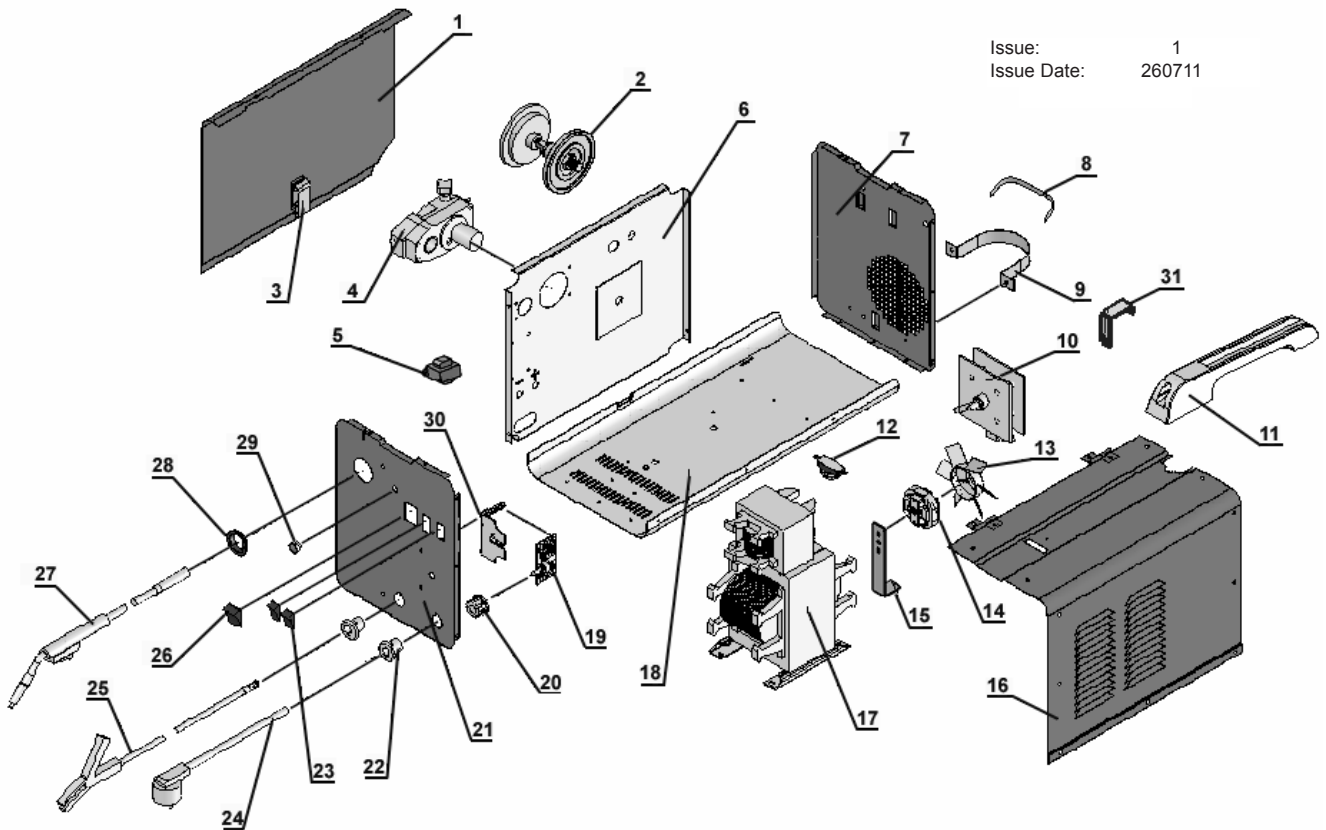
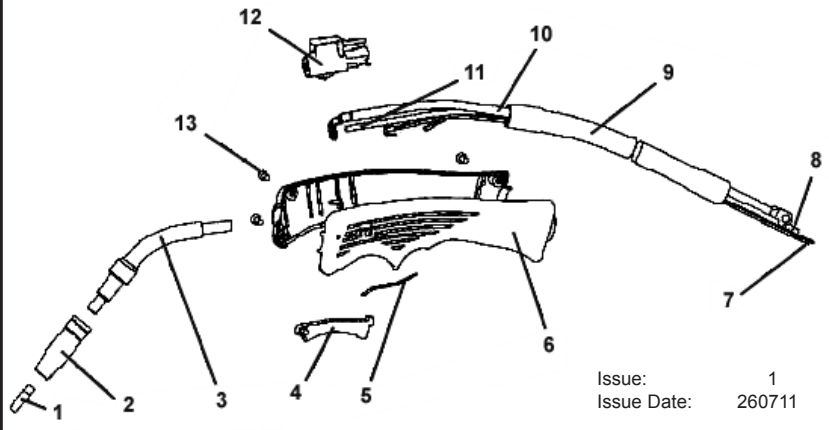


Issue: 1  
 Issue Date: 260711



ITEM	PART NO	DESCRIPTION
1	SMIG130.01	SIDE PANEL, LEFT
2	SMIG130.02	SPOOL HOLDER
3	SMIG130.03	DOOR LOCK
4	SMIG130.04	WIRE FEEDER
5	SMIG130.05	CONTROL TRANSFORMER
6	SMIG130.06	MIDDLE PANEL
7	SMIG130.07	BACK PANEL
8	SMIG130.08	BELT
9	SMIG130.09	GAS BOTTLE HOLDER
10	SMIG130.10	RECTIFIER
11	SMIG130.11	HANDLE FRAME
12	SMIG130.12	THERMAL RELAY
13	SMIG130.13	FAN BLADE
14	SMIG130.14	FAN MOTOR
15	SMIG130.15	FAN BRACKET
16	SMIG130.16	SIDE PANEL, RIGHT
17	SMIG130.17	TRANSFORMER
18	SMIG130.18	BOTTOM PANEL
19	SMIG130.19	PCB
20	SMIG130.20	POTENTIOMETER KNOB
21	SMIG130.21	FRONT PANEL
22	SMIG130.22	POWER CORD HOLDER
23	SMIG130.23	MAIN SWITCH
24	SMIG130.24	POWER CORD (c/w PLUG)
25	SMIG130.25	EARTH CABLE & CLAMP
26	SMIG130.26	SWITCH
27	SMIG130.27	MIG TORCH
28	SMIG130.28	TORCH HOLDER
29	SMIG130.29	INDICATOR
30	SMIG130.30	PCB HOLDER
31	SMIG130.31	RECTIFIER BRACKET

ITEM	PART NO	DESCRIPTION
1	SMIG130.27-1	CONTACT TIP
2	SMIG130.27-2	CONICAL NOZZLE
3	SMIG130.27-3	SWAN NECK
4	SMIG130.27-3S	NOZZLE SPRING
5	SMIG130.27-4	SWITCH
6	SMIG130.27-5	SWITCH CONTACT PLATE
7	SMIG130.27-6	TORCH HANDLE
8	SMIG130.27-7	CONTROL CABLE
9	SMIG130.27-8	GAS HOSE
10	SMIG130.27-9	PROTECTION TUBE
11	SMIG130.27-10	MAIN CABLE
12	SMIG130.27-11	LINER
13	SMIG130.27-12	GAS VALVE
14	SMIG130.27-13	HANDLE SCREW



Issue: 1  
 Issue Date: 260711

**NOTE:** It is our policy to continually improve products and as such we reserve the right to alter data, specifications and component parts without prior notice.

**IMPORTANT:** No liability is accepted for incorrect use of product.

**WARRANTY:** Guarantee is 12 months from purchase date, proof of which will be required for any claim.

**INFORMATION:** For a copy of our latest catalogue and promotions call us on 01284 757525 and leave your full name and address, including postcode.