

Thank you for purchasing a Sealey product. Manufactured to a high standard this product will give you years of trouble free performance if these instructions are carefully followed and the product is correctly maintained.



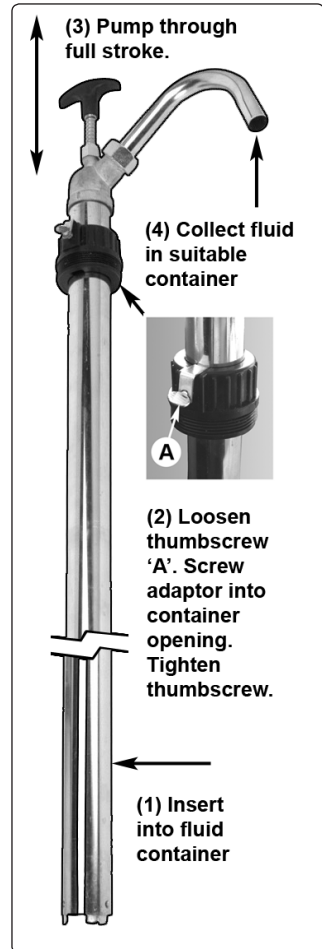
IMPORTANT: PLEASE READ THESE INSTRUCTIONS CAREFULLY. NOTE THE SAFE OPERATIONAL REQUIREMENTS, WARNINGS AND CAUTIONS. USE THIS PRODUCT CORRECTLY AND WITH CARE FOR THE PURPOSE FOR WHICH IT IS INTENDED. FAILURE TO DO SO MAY CAUSE DAMAGE OR PERSONAL INJURY, AND WILL INVALIDATE THE WARRANTY. PLEASE RETAIN THESE INSTRUCTIONS FOR FUTURE USE.

1. SAFETY INSTRUCTIONS

- p **WARNING!** Ensure health & safety, local authority, and general workshop practice regulations are strictly adhered to when using this equipment.
- 3 Familiarise yourself with product application and limitations, as well as the specific potential hazards peculiar to this product.
- 3 Maintain the pump in good condition (use an authorised service agent).
- 3 Replace or repair damaged parts. Use genuine parts only. Non authorised parts will invalidate the warranty.
- 3 Use only to pump NON-Corrosive fluids such as oil, anti-freeze, degreasants, solvents, agricultural and industrial chemicals, and the like.
- 3 Ensure safety eye protection and protective clothing are worn when using this product.
- 3 Keep the work area clean, uncluttered and ensure there is adequate lighting.
- 3 Maintain correct balance and footing. Ensure the floor is not
- 3 Keep children and unauthorised persons away from the working area.
- 3 Dispose of waste liquids in accordance with local authority regulations.
- 7 DO NOT use to extract corrosive fluids.
- 7 DO NOT dismantle, tamper with or adapt the pump for any purpose other than for which it is designed.
- 7 DO NOT use the unit if it has been dropped or mishandled, check the unit to ensure there is no damage.
- 7 DO NOT use the pump as a handle to move the fluid drum.
- 3 Keep the pump clean and store in a safe dry, childproof location.
- p **WARNING!** DO NOT allow uncontrolled discharge of fluids thus polluting the environment.

2. APPLICATION

Heavy-duty steel barrelled, self priming, lift pump. Supplied with adjustable 2" BSP adaptor and dip-tube. Suitable for oils, antifreeze, degreasants and other non-corrosive fluids. Delivers approximately 500ml per full stroke.



NOTE: It is our policy to continually improve products and as such we reserve the right to alter data, specifications and component parts without prior notice.
IMPORTANT: No liability is accepted for incorrect use of this product.

WARRANTY: Guarantee is 12 months from purchase date, proof of which will be required for any claim.

INFORMATION: For a copy of our latest catalogue and promotions call us on 01284 757525 and leave your full name and address, including postcode.