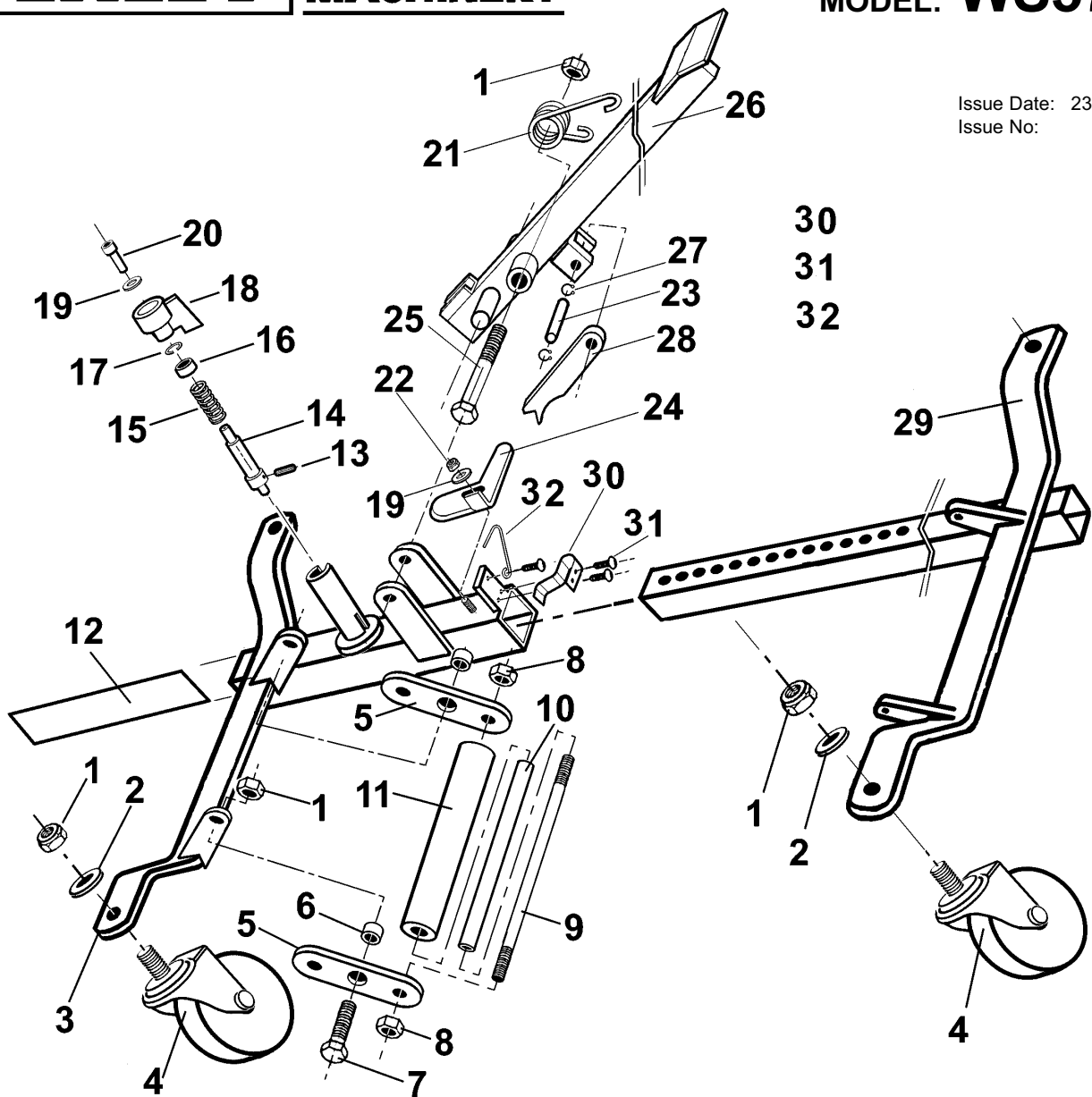


Issue Date: 230702
Issue No: 3



ITEM	PART NO.	DESCRIPTION	ITEM	PART NO.	DESCRIPTION
1	WS570.01	LOCK NUT M12	18	WS570.18	CARRY HEAD ASSEMBLY (LOCKING KNOB)
2	WS570.02	WASHER M12	19	WS570.19	WASHER M6
3	WS570.03	MOVE PIN ASSEMBLY (FRAME, LOCKING)	20	WS570.20	BOLT M6 X 10
4	WS570.04	WHEEL ASSEMBLY	21	WS570.21	SPRING
5	WS570.05	CONNECTION PLATE	22	WS570.22	LOCK NUT M6
6	WS570.06	COVER (SLEEVE)	23	WS570.23	AXIS (PIVOT PIN)
7	WS570.07	BOLT M12 X 35	24	WS570.24	BLOCK PIECE
8	WS570.08	LOCK NUT M10	25	WS570.25	BOLT M12 X 80
9	WS570.09	NET (CLAMPING ROD)	26	WS570.26	FOOT PLATE ASSEMBLY
10	WS570.10	COVER (SLEEVE)	27	WS570.27	RETAINING RING
11	WS570.11	ROLLER	28	WS570.28	SUPPORT PLATE
12	WS570.12	PLATE SPRING	29	WS570.29	ROOT PIPE (FRAME, SLIDING)
13	WS570.13	SPRING PIN	30	WS570.30	CLIP
14	WS570.14	BLOCK AXIS (LOCKING PIN)	31	WS570.31	BOLT
15	WS570.15	SPRING	32	WS570.32	SPRING CLIP
16	WS570.16	COVER (SLEEVE)			
17	WS570.17	CLIP SPRING			

NOTE: It is our policy to continually improve products and as such we reserve the right to alter data, specifications and component parts without prior notice.
IMPORTANT: No liability is accepted for incorrect use of this product. **WARRANTY:** Guarantee is 12 months from purchase date, proof of which will be required for any claim. **INFORMATION:** For a copy of our latest catalogue and promotions call us on 01284 757525 and leave your full name and address including your postcode.