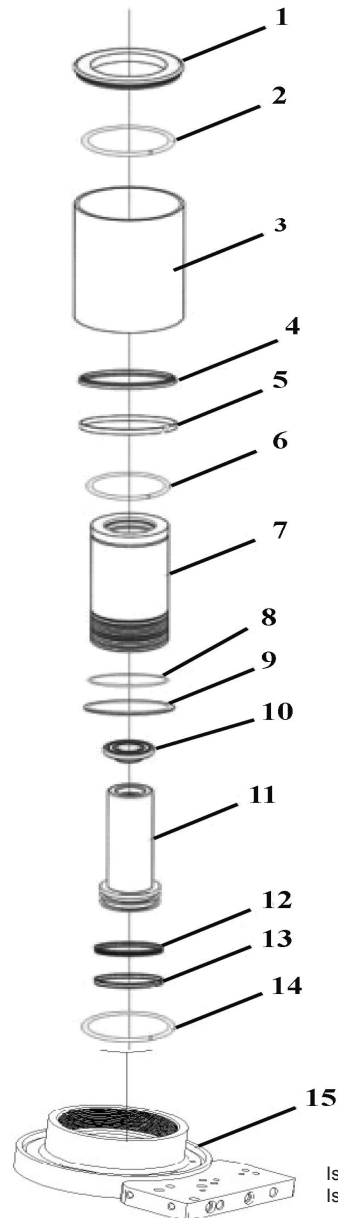


OIL CYLINDER ASSEMBLY

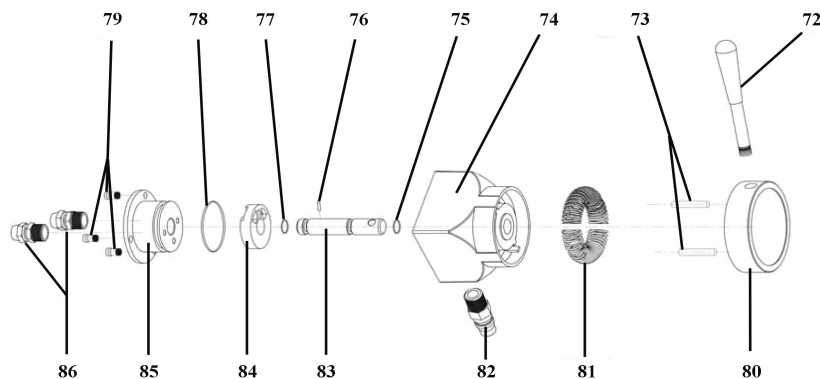
ITEM	PART NO	DESCRIPTION
1	YAJ301.01	COVER
2	YAJ301.02	O-RING
3	YAJ301.03	OIL TANK
4	YAJ301.04	DUSTPROOF RING
5	YAJ301.05	GUIDE RING
6	YAJ301.06	O-RING
7	YAJ301.07	OUTER SLEEVE
8	YAJ301.08	O-RING
9	YAJ301.09	LOCKING RING
10	YAJ301.10	TOP COVER
11	YAJ301.11	PISTON
12	YAJ301.12	XTP SEALING
13	YAJ301.13	GUIDER RING
14	YAJ301.14	O-RING
15	YAJ301.15	BASE



Issue: 1
 Issue Date: 070513

SWITCH ASSEMBLY

Issue: 1
 Issue Date: 070513



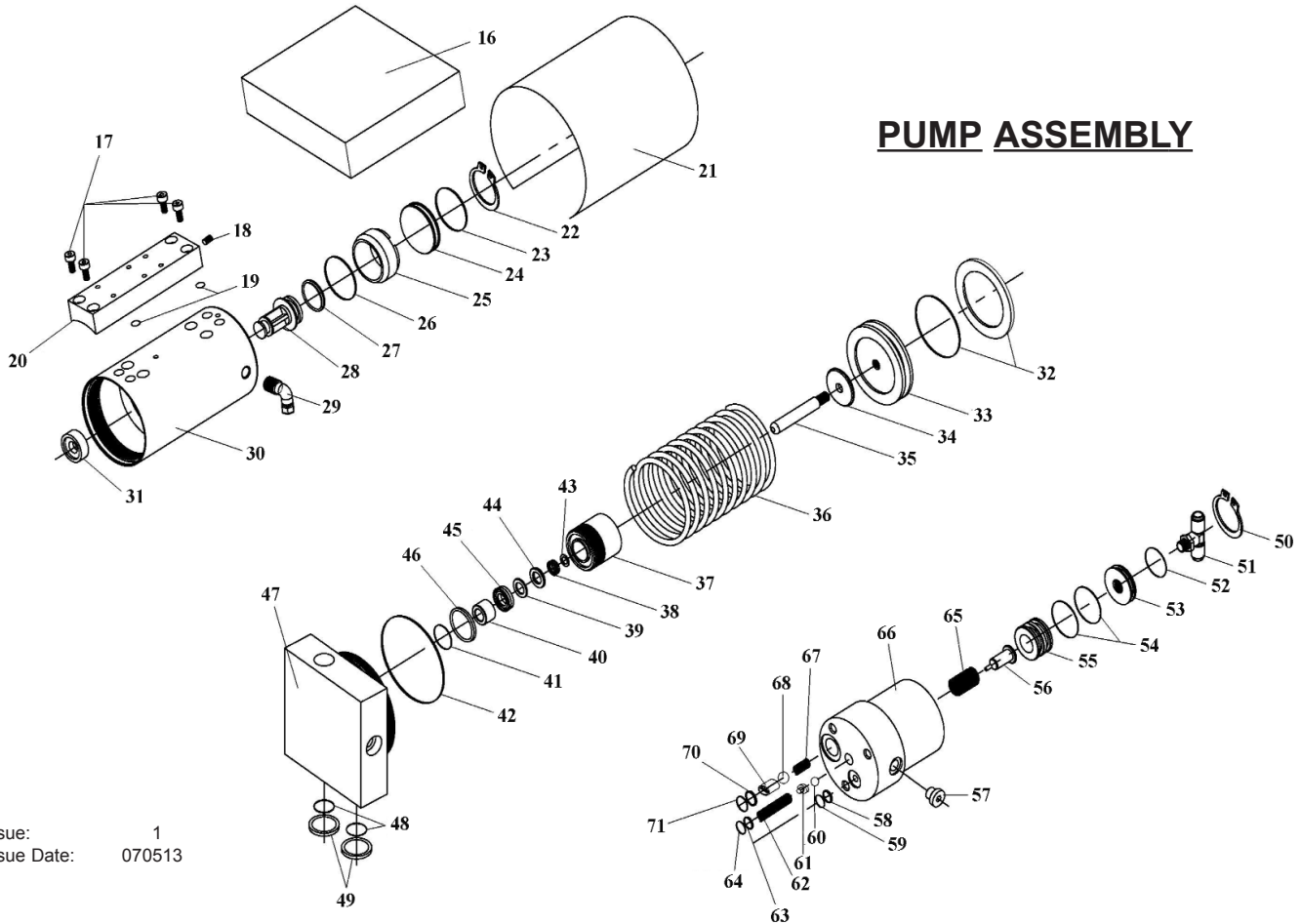
ITEM	PART NO	DESCRIPTION
72	YAJ301.72	SWITCH HANDLE
73	YAJ301.73	STRAIGHT PIN
74	YAJ301.74	VALVE BODY
75	YAJ301.75	O-RING
76	YAJ301.76	STRAIGHT PIN
77	YAJ301.77	O-RING
78	YAJ301.78	O-RING
79	YAJ301.79	SCREW
80	YAJ301.80	SWITCH CAP
81	YAJ301.81	SPRING
82	YAJ301.82	ADAPTOR
83	YAJ301.83	CENTRAL SPINDLE
84	YAJ301.84	SWITCH VALVE PLATE
85	YAJ301.85	SWITCH PANEL BOARD
86	YAJ301.86	ADAPTOR

NOTE: It is our policy to continually improve products and as such we reserve the right to alter data, specifications and component parts without prior notice.

IMPORTANT: No liability is accepted for incorrect use of product.

WARRANTY: Guarantee is 12 months from purchase date, proof of which will be required for any claim.

INFORMATION: For a copy of our latest catalogue and promotions call us on 01284 757525 and leave your full name and address, including postcode.

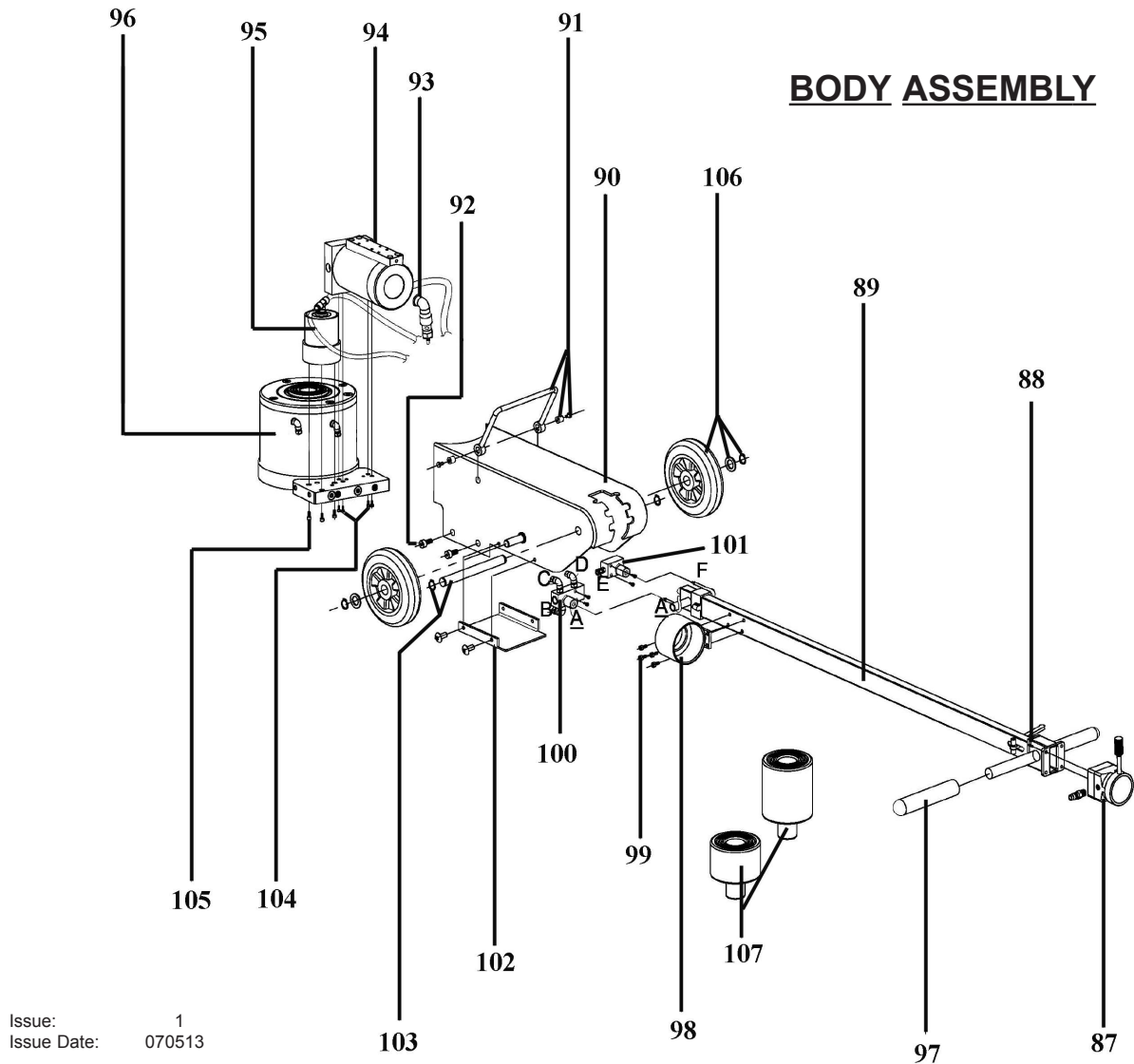


PUMP ASSEMBLY

Issue: 1
 Issue Date: 070513

ITEM	PART NO	DESCRIPTION	ITEM	PART NO	DESCRIPTION
16	YAJ301.16	FOAM PAD	44	YAJ301.44	SPACER
17	YAJ301.17	SCREWS	45	YAJ301.45	SEAL
18	YAJ301.18	SCREWS	46	YAJ301.46	LOCKING RING
19	YAJ301.19	O-RING	47	YAJ301.47	PUMP BLOCK
20	YAJ301.20	EXHAUST HOOD	48	YAJ301.48	O-RING
21	YAJ301.21	PROTECTING COVER	49	YAJ301.49	LOCKING RING
22	YAJ301.22	RETAINING RING	50	YAJ301.50	RETAINING RING
23	YAJ301.23	O-RING	51	YAJ301.51	ELBOW
24	YAJ301.24	END COVER	52	YAJ301.52	O-RING
25	YAJ301.25	INNER SLEEVE	53	YAJ301.53	END COVER
26	YAJ301.26	O-RING	54	YAJ301.54	O-RING
27	YAJ301.27	U-RING	55	YAJ301.55	OIL DRAIN PISTON
28	YAJ301.28	PISTON	56	YAJ301.56	OIL DRAIN BOLT
29	YAJ301.29	ELBOW	57	YAJ301.57	SCREW
30	YAJ301.30	AIR CYLINDER	58	YAJ301.58	LOCKING RING
31	YAJ301.31	RUBBER CAP	59	YAJ301.59	O-RING
32	YAJ301.32	OE SEAL	60	YAJ301.60	STEEL BALL
33	YAJ301.33	PISTON	61	YAJ301.61	STEEL BALL SEAT
34	YAJ301.34	SPACER	62	YAJ301.62	SPRING
35	YAJ301.35	PLUNGER ROD	63	YAJ301.63	LOCKING RING
36	YAJ301.36	SPRING	64	YAJ301.64	O-RING
37	YAJ301.37	OIL PUMP	65	YAJ301.65	SPRING
38	YAJ301.38	SEAL	66	YAJ301.66	OIL DRAIN VALVE
39	YAJ301.39	SPACER	67	YAJ301.67	SPRING
40	YAJ301.40	GUIDE BUSHING	68	YAJ301.68	STEEL BALL
41	YAJ301.41	O-RING	69	YAJ301.69	STEEL BALL BUSHING
42	YAJ301.42	O-RING	70	YAJ301.70	LOCKING RING
43	YAJ301.43	LOCKING RING	71	YAJ301.71	O-RING

NOTE: It is our policy to continually improve products and as such we reserve the right to alter data, specifications and component parts without prior notice.
IMPORTANT: No liability is accepted for incorrect use of product.
WARRANTY: Guarantee is 12 months from purchase date, proof of which will be required for any claim.
INFORMATION: For a copy of our latest catalogue and promotions call us on 01284 757525 and leave your full name and address, including postcode.



Issue: 1
 Issue Date: 070513

ITEM	PART NO	DESCRIPTION	ITEM	PART NO	DESCRIPTION
87	YAJ301.87	SWITCH	98	YAJ301.98	ADAPTOR HOLDER
88	YAJ301.88	SCREW	99	YAJ301.99	SCREW
89	YAJ301.89	HANDLE	100	YAJ301.100	CIRCUIT BLOCK
90	YAJ301.90	TANK BODY	101	YAJ301.101	CIRCUIT BLOCK
91	YAJ301.91	LIFTING HANDLE SETS	102	YAJ301.102	BOTTOM COVER
92	YAJ301.92	SCREWS	103	YAJ301.103	WHEEL AXLE
93	YAJ301.93	ELBOW	104	YAJ301.104	SCREW
94	YAJ301.94	PUMP ASSEMBLY	105	YAJ301.105	SCREW
95	YAJ301.95	OIL DRAIN VALVE ASSEMBLY	106	YAJ301.106	WHEEL (c/w FIXINGS)
96	YAJ301.96	OIL CYLINDER ASSEMBLY	107	YAJ301.107	ADAPTORS
97	YAJ301.97	HANDLE GRIP			

NOTE: It is our policy to continually improve products and as such we reserve the right to alter data, specifications and component parts without prior notice.

IMPORTANT: No liability is accepted for incorrect use of product.

WARRANTY: Guarantee is 12 months from purchase date, proof of which will be required for any claim.

INFORMATION: For a copy of our latest catalogue and promotions call us on 01284 757525 and leave your full name and address, including postcode.