



INSTRUCTIONS FOR:
**30 TONNE HYDRAULIC PRESS FLOOR
 TYPE**
 MODEL No: **YK30XF**

Thank you for purchasing a Sealey product. Manufactured to a high standard, this product will, if used according to these instructions, and properly maintained, give you years of trouble free performance.



IMPORTANT: PLEASE READ THESE INSTRUCTIONS CAREFULLY. NOTE THE SAFE OPERATIONAL REQUIREMENTS, WARNINGS & CAUTIONS. USE THE PRODUCT CORRECTLY AND WITH CARE FOR THE PURPOSE FOR WHICH IT IS INTENDED. FAILURE TO DO SO MAY CAUSE DAMAGE AND/OR PERSONAL INJURY AND WILL INVALIDATE THE WARRANTY. KEEP THESE INSTRUCTIONS SAFE FOR FUTURE USE.

1. SAFETY

1.1 GENERAL SAFETY

- ✓ Familiarise yourself with this products application and limitations, as well as the specific potential hazards peculiar to the press.
- ✓ Maintain the press in good condition (use an authorised service agent).
- ✓ Replace or repair damaged parts. *Use recommended parts only. Non authorised parts may be dangerous and will invalidate the warranty.*
- ✓ Keep the press clean for best and safest performance.
- ✓ Locate the press in a suitable working area for its function, keep area clean, tidy, free from unrelated materials and ensure there is adequate lighting.
- ✓ Ensure the workpiece is correctly secured before operating the press.
- ☐ **WARNING!** Always wear approved eye or face protection when operating the press.
- ✓ Remove ill fitting clothing. Remove ties, watches, rings, loose jewellery and contain long hair.
- ✓ Keep hands and body clear of the work table when operating the press.
- ✓ Maintain correct balance and footing. Ensure the floor is not slippery and wear non-slip steel toe-capped shoes/boots.
- ✓ Keep children and unauthorised persons away from the working area.
- x **DO NOT** operate the press if any parts are missing as this may cause failure and/or possible personal injury.
- x **DO NOT** use to compress springs or any other item that could disengage and cause a potential hazard.
- x **DO NOT** stand directly in front of the loaded press and never leave a loaded press unattended.
- x **DO NOT** use the press for any purpose other than that for which it is designed.
- x **DO NOT** make any modifications to the press.
- x **DO NOT** adjust or tamper with the safety valve.
- x **DO NOT** exceed the rated capacity of the press.
- x **DO NOT** apply off-centre loads.
- x **DO NOT** allow the workpiece or the press plates to fall from the work table.
- x **DO NOT** get the press wet or use in damp or wet locations or areas where there is condensation.
- x **DO NOT** operate the press when you are tired or under the influence of alcohol, drugs or intoxicating medication.
- ✓ When not in use, release pressure from the hydraulic unit and clean the press. Stand or store the anvil "V" blocks in a safe location.
- ☐ **WARNING! Always position the press against a wall. If the press is situated in the open workshop, it is essential that a guard be placed at the rear of the unit. This will prevent injury to bystanders in the event of the workpiece ejecting suddenly.**
- ☐ **WARNING! The warnings, cautions and instructions in this manual cannot cover all possible conditions and situations that may occur. It must be understood by the operator that common sense and caution are factors which cannot be built into this product, but must be applied by the operator.**
- ▲ **DANGER! When assembling, lifting or moving the press, it is recommended that it is by two people.**

2. INTRODUCTION

Self assembly Heavy Duty floor mounted press with hydraulic unit and single acting internal return spring return actuator (ram). Constructed from structural steel and mild steel plates, fabricated for strength. Powder coated paint finish frames and plated fixings. Supplied with a pair of V-blocks/pressing plates, separate pump operating handle and load/pressure gauge.

3. SPECIFICATIONS

- Model:..... YK30XF
- Floor Mounting:..... Yes
- Type:..... Hydraulic
- Capacity:..... 30tonne
- Ram Stroke:..... 150mm
- Ram Diameter:..... 80mm
- *Lateral Ram Travel:.....200mm
- **Maximum Height - Ram to Table:.....1100mm approx.
- **Minimum Height - Ram to Table:.....110mm approx.
- Table Aperture:..... 154mm
- Work Table Depth:..... 284mm
- Work Table Width:..... 460mm
- Overall Height:.....1908mm
- Gauge Included:..... Yes
- Weight:.....141.5kg

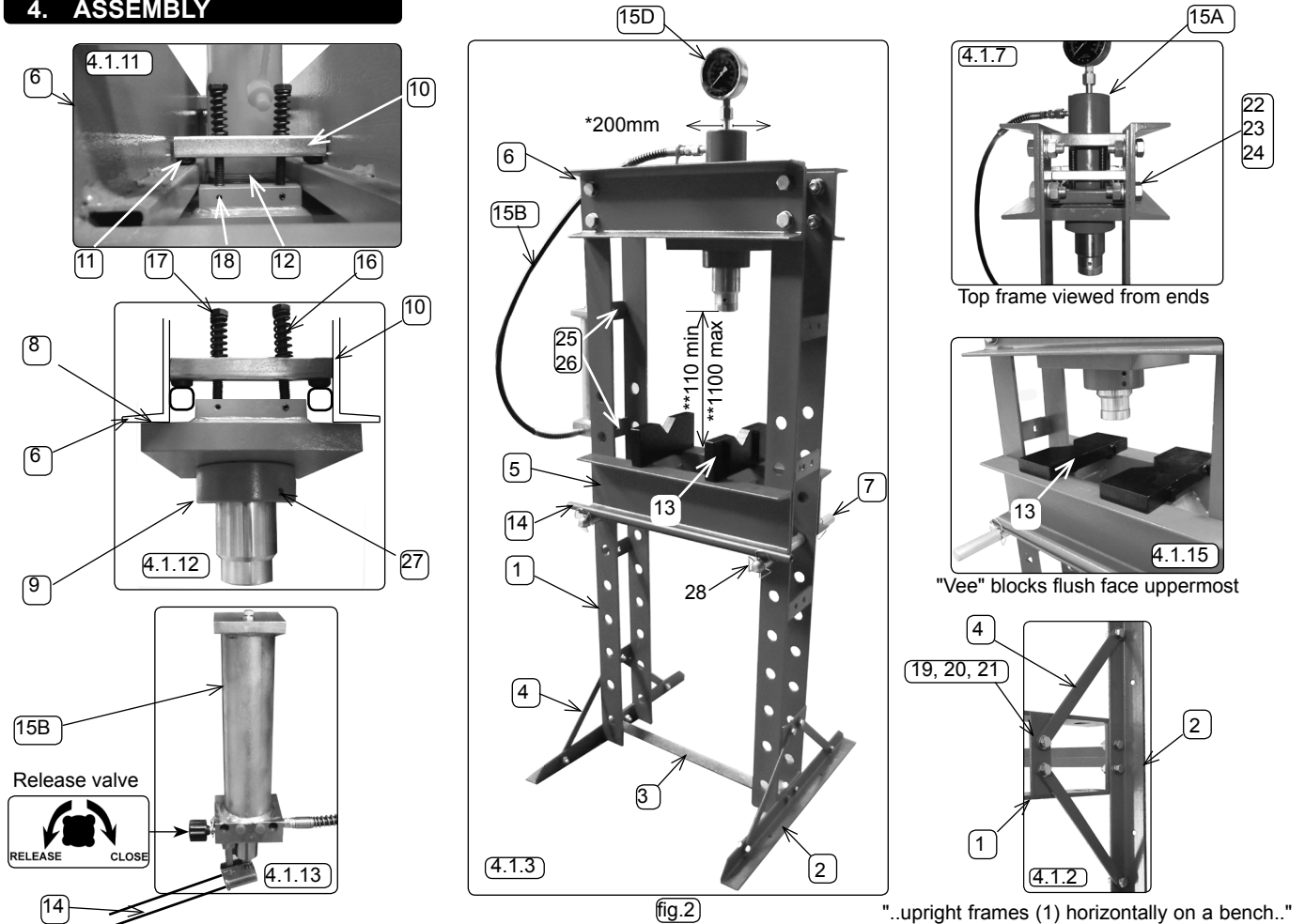
*See also fig.2 for ram lateral adjustment.

**See also fig.2 for clear opening height max. and min.



Gauge graduated in load and pressure

4. ASSEMBLY



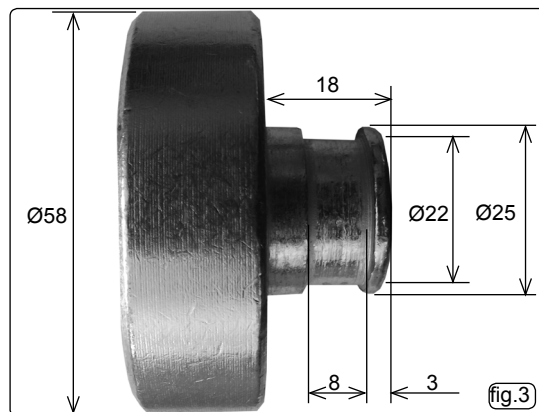
4.1 Contents:

- 4.1.1 Unpack the product and check contents against the item list. Should there be any damaged or missing parts contact your Sealey Dealer immediately. Refer to the appropriate parts diagram as a guide to assembly, read all notes prior to assembly.
- 4.1.2 Place the upright frames (1) horizontally on a bench and fit the base frame angles (2) and strut/ties (4) with fixings (19, 20, 21) loosely.
- 4.1.3 Stand and support the sub assembled upright frames on a horizontal workshop floor and fit the spacer angle (3) with fixings (19, 20, 21) loosely.
- 4.1.4 Pass the height control bars (7) through the upright frames at the desired height. [The holes are pitched at 110mm offering clear opening heights of approximately 110mm to 1100mm in 9 steps of 110mm].
- 4.1.5 Fit the quick release spring type circlips (28) to the bars (7). The clips need to be equi-distant from the upright frame sides for the table (5) placement.
- 4.1.6 Place the channel section table (5) on to the height control bars (7). **The table is extremely heavy and only the user can decide the safest method of placement.**
- 4.1.7 Fit the channel section top frame (6) with fixings (22, 23, 24) loosely. **The top frame is extremely heavy and only the user can decide the safest method of placement.**
- 4.1.8 With a good quality builders level and the assembled frame standing on a flat level surface, ensure that the frame details are supported upright whilst all frame fixings are tightened.
- 4.1.9 On the workbench, wind the actuator collar (12) on to the actuator (15A), leaving 45mm of thread projecting and then pinch screw with the socket set screw (27).
- 4.1.10 Fit the actuator into the actuator mounting plate (8) and wind on the shoulder collar, utilising the tommy bar holes. After clamping the actuator, pinch screw the collar with the socket set screw (27).
- 4.1.11 Fit the slide bar shoes (11) to the slide bar (10), place the compression springs (16) on to the hexagon head bolts (17) and place on to the slide bar.
- 4.1.12 The actuator sub assembly must be offered from beneath the top frame and the slide bar from above. Clamp together with the M10 X 110 hexagon head screws (17), screw in full depth and pinch screw with socket set screws (18). Check the actuator sub assembly will slide, if not slacken screws slightly. **The actuator sub assembly is extremely heavy and only the user can decide the safest method of placement.**
- 4.1.13 Fit the pump (15B) with fixings (25, 26) and connect the hydraulic hose (15C) and pressure gauge (15D).
- 4.1.14 Locate the press and anchor to a level workshop floor with suitable fixings (not supplied).
- 4.1.15 Place "Vee" blocks (13) on the worktable top ready for use, with the heel block pads in the gap provided by the channel sections (5). This will help prevent accidental dropping when sliding into position.

Item	Description	Qty
1	Upright frame fabrication	2
2	Base frame angles	2
3	Spacer angle	1
4	Strut/tie	4
5	Channel section table fabrication	1
6	Channel section top frame fabrication	1
7	Height control bar	2
8	Actuator (ram) mounting plate	1
9	Actuator (ram) shoulder collar	1
10	Mounting plate slide bar	2
11	Slide bar shoes	4
12	Actuator (ram) collar	1
13	"Vee" block/plattens (loose)	2
14	Pump operating lever (loose)	1
15	Actuator/gauge/hose/pump unit.	1
16	Compression spring	4
17	Hex head bolt M10 X 110	4
18	Soc head set screw M6	4
19	Hex head screw M12 X 30	12
20	Hex nut M12	12
21	Plain washer Ø12	24
22	Hex head screw M20 X 50	8
23	Hex nut M20	8
24	Plain washer Ø20	16
25	Hex head screw M10 X 25	4
26	Plain washer Ø10	4
27	Socket set screw M8	2
28	Quick release circlips	4

5. OPERATION

- ▲ **DANGER!** The press is purpose designed to withstand greater loads than the hydraulic unit can develop. For safety reasons, always ensure the workpiece is secured on the worktable to ensure loads that flex will not suddenly "give" causing danger to operator or damage to component. Ensure you have read and understood Section 1 safety instructions.
- 5.1 Before operating the press, purge the hydraulic system in order to eliminate any air that may have built up during transit. Open the release valve and pump the handle several times (suggested 20 times). Should the system malfunction at any time, repeating this process may resolve the problem. If not refer to Maintenance heading 6.3.
- 5.2 Place the "Vee" blocks (13) onto the worktable, then place workpiece onto the "Vee" blocks **Note:** Care must be taken to ensure that the "Vee" blocks do not fall from the worktable. If necessary hold the configuration in position with clamps.
- 5.3 Select a suitable mandrel for the task, the supplied mandrel is shown in fig.3. Ask your Sealey dealer about available mandrels. Secured by a socket set screw with a 3mm hex socket.
- 5.4 Turn the control valve knob clockwise to close valve.
- 5.5 Pump handle to apply load to the workpiece. Observe work and gauge (fig.1). **DO NOT** exceed the maximum load of **30tonne**.
- ☐ **WARNING! DO NOT** apply off-centre loads. The position of the actuator (ram) can be adjusted laterally +/- 100mm; the "Vee" blocks will require repositioning equally about the actuator (ram) centre line.
- 5.6 When the work is done, stop pumping the handle. Slowly and carefully release load from workpiece by turning control valve knob anticlockwise, in small increments.
- 5.7 Once the hydraulic unit has been fully retracted, remove the workpiece from the press. **Note:** Always keep the hydraulic unit fully retracted after use to avoid ram corrosion.



Supplied plain mandrel with mandrel adaption dimensions

6. MAINTENANCE

- Note:** Maintenance and repair must only be carried out by a qualified person. Contact your Sealey dealer for details.
- 6.1 Always keep the press clean, dry and lubricate all moving parts at regular intervals.
- 6.2 When not in use the hydraulic unit must be fully retracted.
- 6.3 Should you need to check or replace oil, ensure the hydraulic unit is fully retracted. Remove the oil reservoir filler plug and top up using Sealey hydraulic jack oil (Sealey Part No's: HJO500MLS/HJO5LS). **DO NOT** use brake fluid. After filling, purge the system as described in Section 5.1 to remove any air.

Parts support is available for this product. To obtain a parts listing and/or diagram, please log on to www.sealey.co.uk, email sales@sealey.co.uk or telephone 01284 757500.

Environmental Protection



Recycle unwanted materials instead of disposing of them as waste. All tools, accessories and packaging should be sorted, taken to a recycling centre and disposed of in a manner which is compatible with the environment.

IMPORTANT: NO RESPONSIBILITY IS ACCEPTED FOR INCORRECT USE OF THE PRESS.

Hydraulic products are only repaired by local service agents. We have service/repair agents in all parts of the UK.

DO NOT RETURN PRODUCT TO US. Please telephone us on 01284 757500 to obtain the address and phone number of your local agent.

If product is under guarantee please contact your dealer.

De-commissioning Product

Should the product become completely unserviceable and require disposal, draw off the oil into an approved container and dispose of the product and the oil according to local regulations.

NOTE: It is our policy to continually improve products and as such we reserve the right to alter data, specifications and component parts without prior notice.

IMPORTANT: No liability is accepted for incorrect use of product.

WARRANTY: Guarantee is 12 months from purchase date, proof of which will be required for any claim.

INFORMATION: For a copy of our latest catalogue and promotions call us on 01284 757525 and leave your full name and address, including postcode.



Sole UK Distributor, Sealey Group,
Kempson Way, Suffolk Business Park,
Bury St. Edmunds, Suffolk,
IP32 7AR

☎ 01284 757500

📠 01284 703534



www.sealey.co.uk



sales@sealey.co.uk